

31 Valspar Colors to Choose From

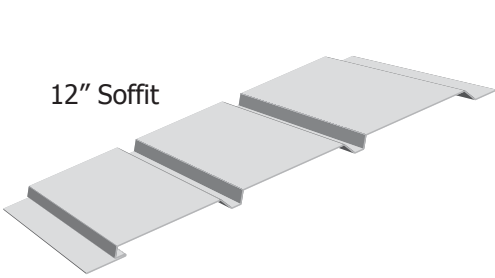


* Colors may vary from actual material.

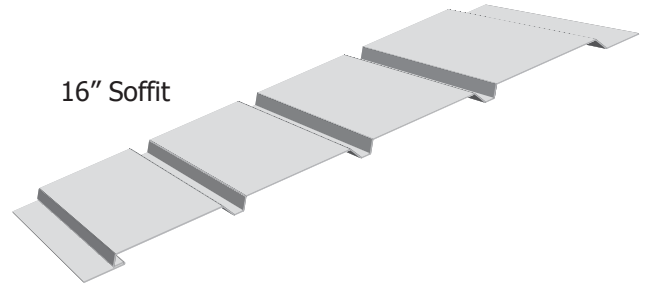
American Construction Metals Soffits are finished with Valspar Polykote® 3000 coatings. Polykote® 3000 is field proven coating for multiple purpose polyester finishes designed for a wide range of applications. They are applied to long life products: such as rain carrying equipment, trim coil, and awnings. The reliable adhesion and flexibility properties of Polykote® 3000 provides superior post forming performance to enhance the coated product's appearance and durability for years to come.



SOFFIT



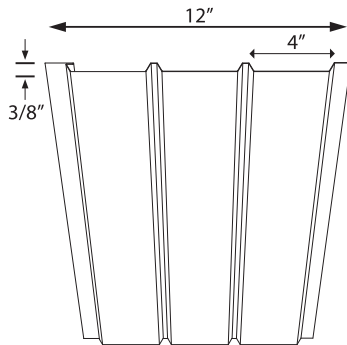
12" Soffit



16" Soffit

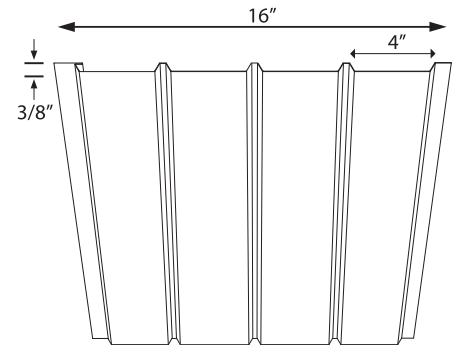
AST12S__ (color code)

ACM Triple 4 Solid
Nominal .019 Thick
Length: 12'
Exposure: 12"
20 Pcs. / Ctn.
240 Sq. Ft. / Ctn.



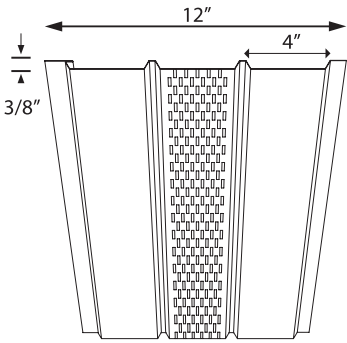
AST16S__ (color code)

ACM Quad 4 Solid
Nominal .019 Thick
Length: 12'
Exposure: 16"
10 Pcs. / Ctn.
160 Sq. Ft. / Ctn.



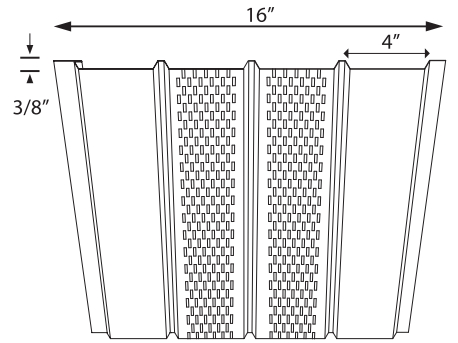
AST12CV__ (color code)

ACM Triple 4 Center Vent
3.43 Sq. In.: N.F.A. / Sq. Ft.
Nominal .019 Thick
Length: 12'
Exposure: 12"
20 Pcs. / Ctn.
240 Sq. Ft. / Ctn.



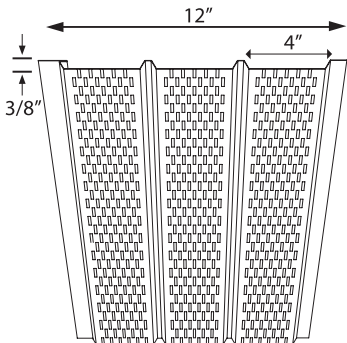
AST16CV__ (color code)

ACM Quad 4 Center Vent
6.86 Sq. In.: N.F.A. / Sq. Ft.
Nominal .019 Thick
Length: 12'
Exposure: 16"
10 Pcs. / Ctn.
160 Sq. Ft. / Ctn.



AST12FV__ (color code)

ACM Triple 4 Full Vent
10.3 Sq. In.: N.F.A. / Sq. Ft.
Nominal .019 Thick
Length: 12'
Exposure: 12"
20 Pcs. / Ctn.
240 Sq. Ft. / Ctn.



AST16FV__ (color code)

ACM Quad 4 Full Vent
10.3 Sq. In.: N.F.A. / Sq. Ft.
Nominal .019 Thick
Length: 12'
Exposure: 16"
10 Pcs. / Ctn.
160 Sq. Ft. / Ctn.

