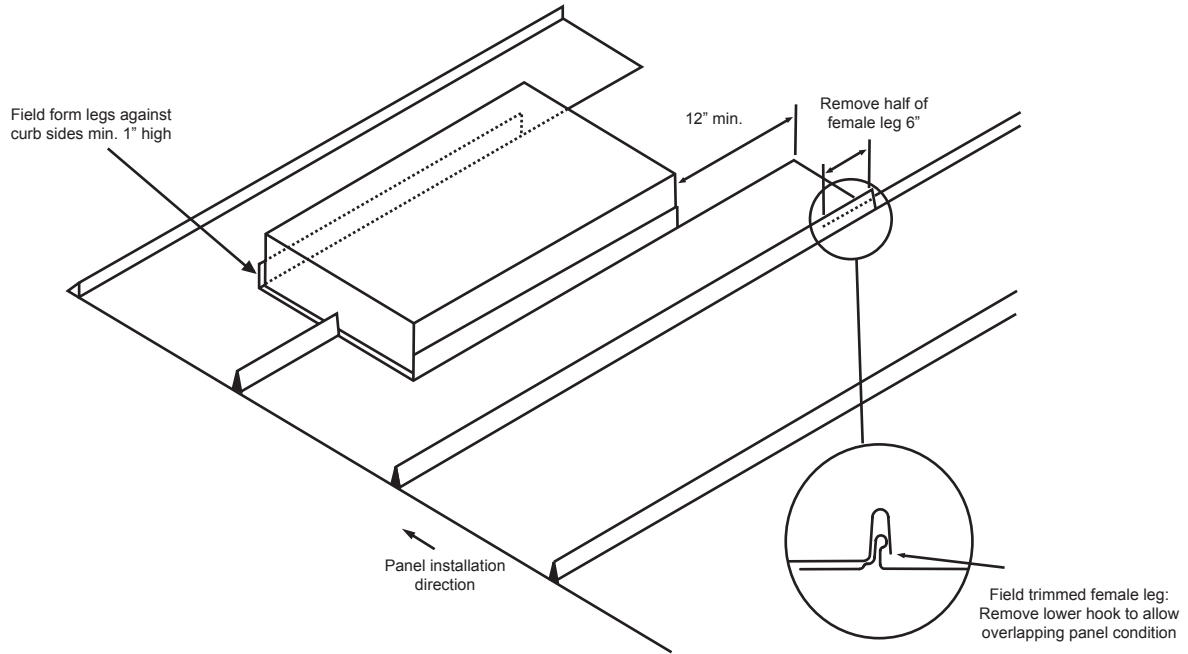


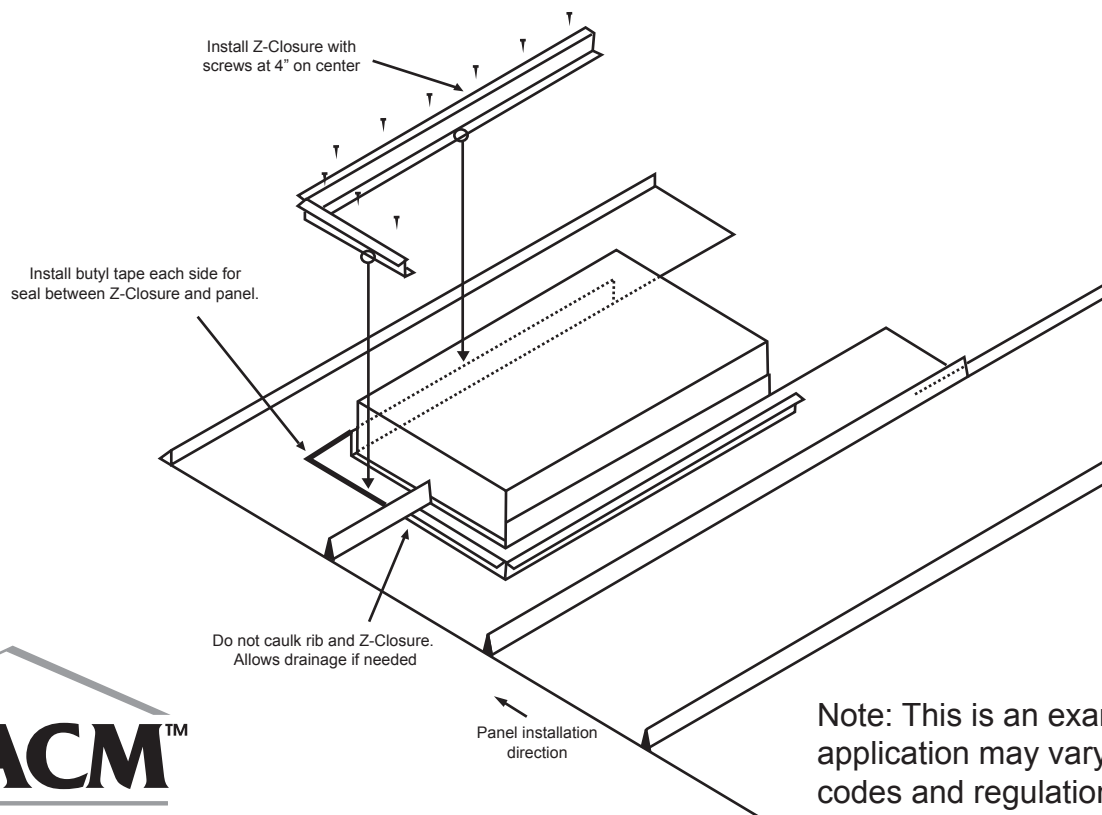
Installation Instruction 1

Install lower panels around curb of skylight or chimney



Installation Instruction 2

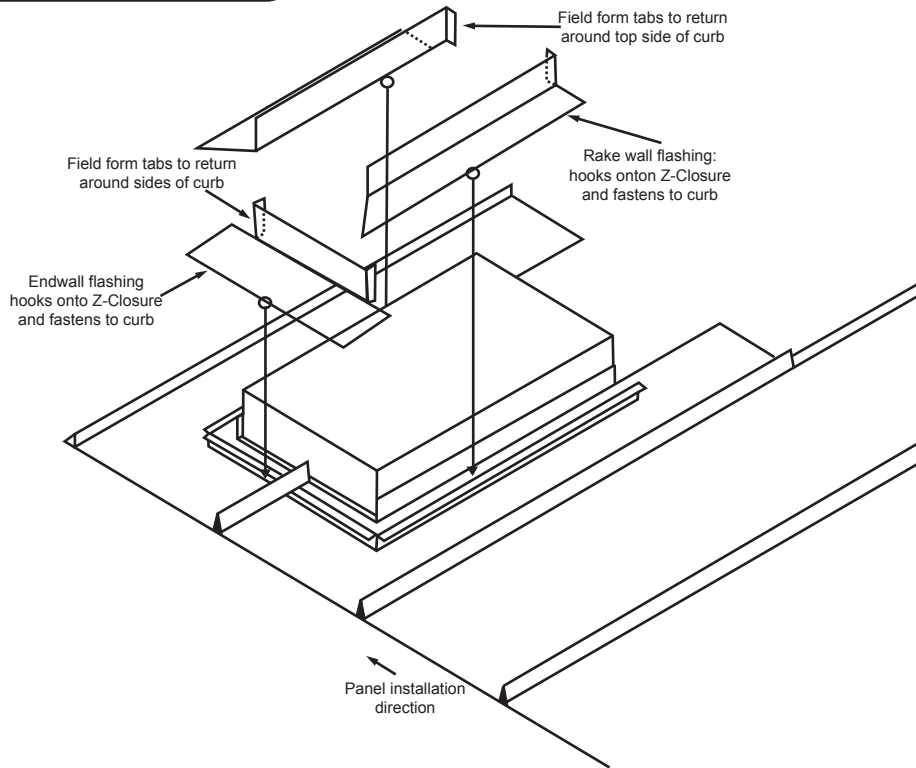
Apply Z-Closure flashing over double bead butyl tape



Note: This is an example only. Each application may vary. Please see local codes and regulations.

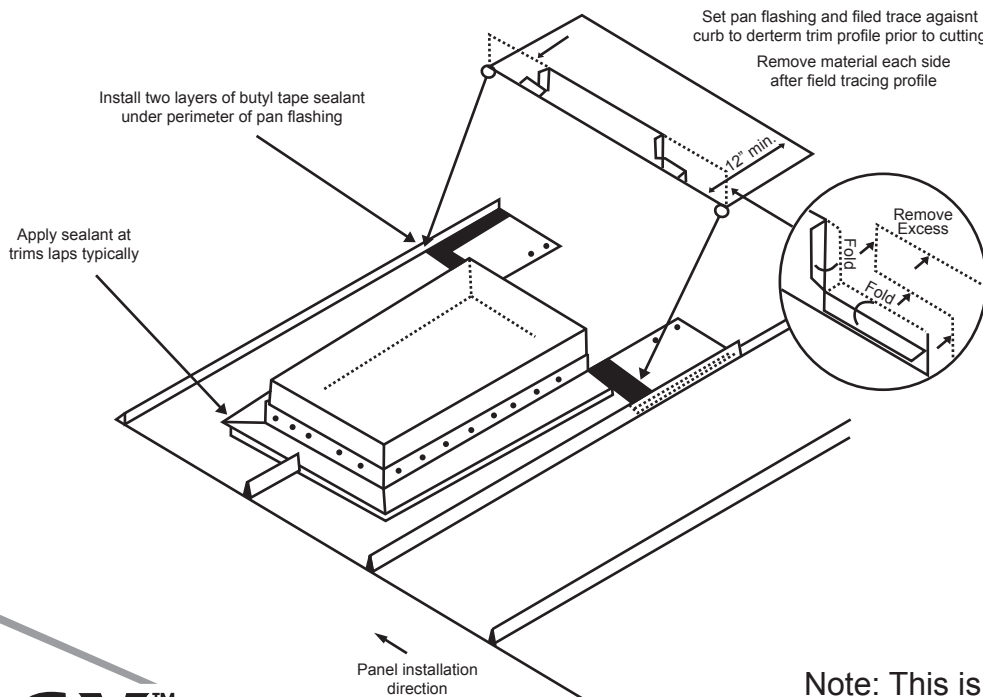
Installation Instruction 3

Install rake wall and end wall trims on to the Z - Closure and curb



Installation Instruction 4

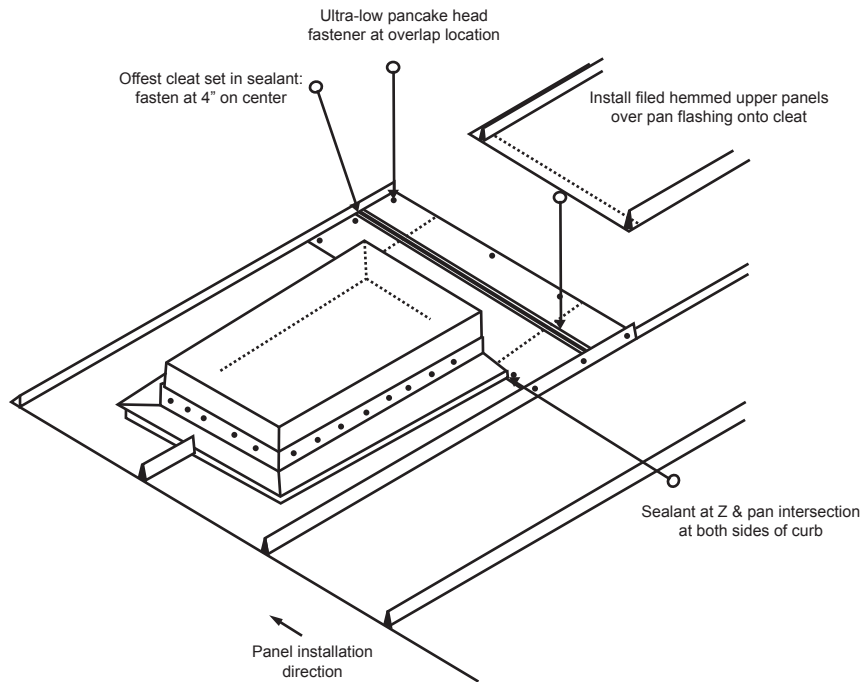
Install topside pan flashing to the top of curb



Note: This is an example only. Each application may vary. Please see local codes and regulations.

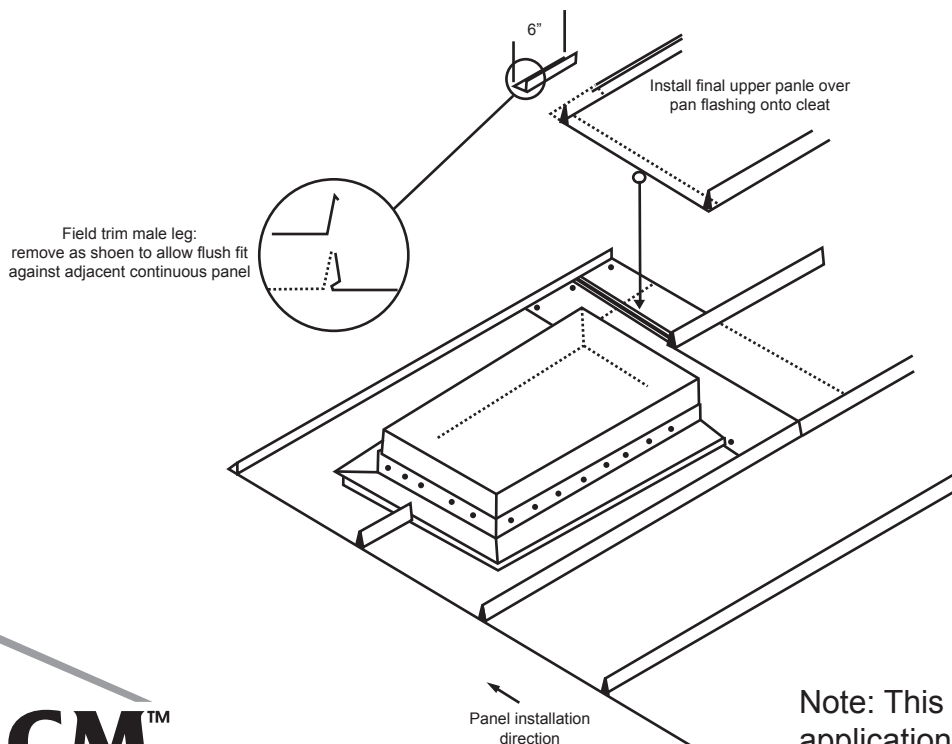
Installation Instruction 5

Install offset cleat and prepare for upper panel installation



Installation Instruction 6

Install final panel above curb



Note: This is an example only. Each application may vary. Please see local codes and regulations.