

PANEL INFORMATION

- Panel profile designed for thermal movement and water shedding
- Standing seam metal roof panel
- Apply with minimum of 30 pound felt underlayment over plywood substrate
- Minimum roof slope 3:12
- 14-7/8" nominal coverage with 1-1/2" rib height or 16" nominal coverage with 1" rib height
- Gauge: 26 gauge or 24 gauge
- Finishes: Fluropon® (KYNAR), WeatherX™ (SMP), or Acrylic Galvalume

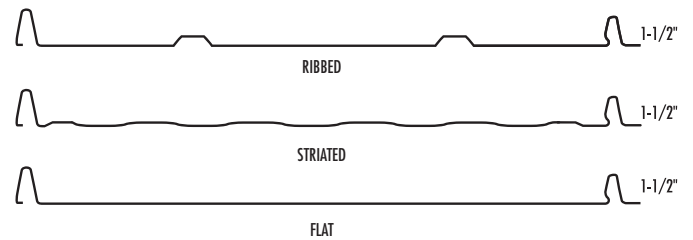
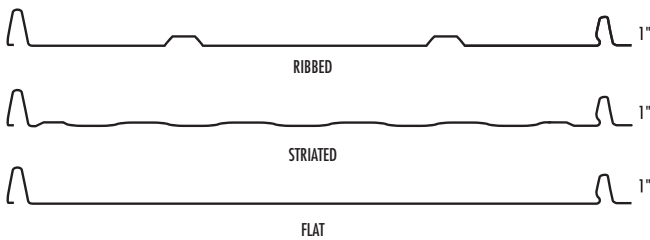
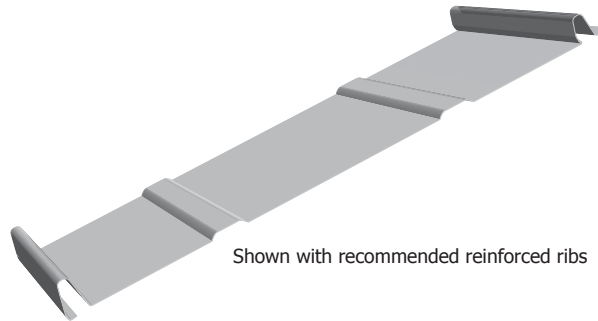
Concealed Fasteners

Architectural Panel

Plywood Substrate

14-7/8" or 16" Nominal Coverage

Minimum Slope 3:12



**ALLOWABLE UNIFORM LIVE LOADS PSF
(3 or More Equal Spans)**

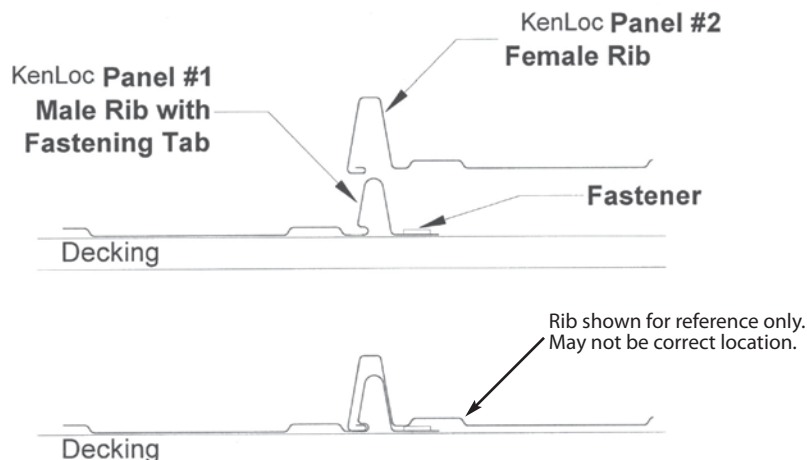
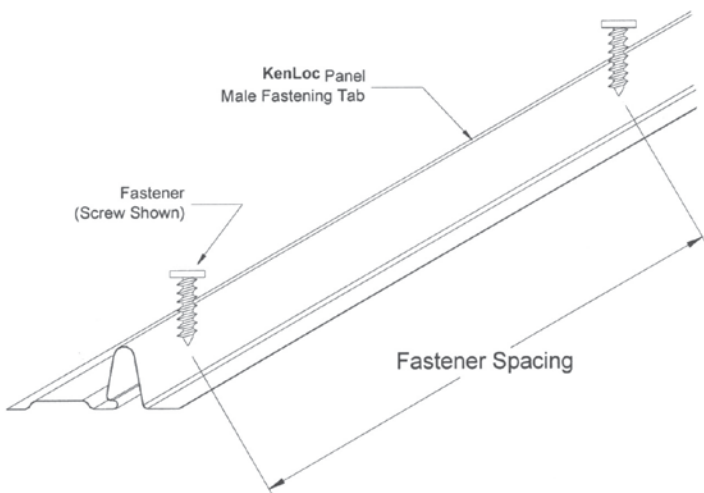
Outward Uplift (Stress Load)				
1'-0"	1'-3"	1'-6"	1'-9"	2'-0"
65	52	43	37	38

1-1/2" SELECTION PROPERTIES

Gauge	Width (in.)	Yield KSI	Weight PSF	Ixx In ⁴ /ft	Sxx In ³ /ft
24	12"	50	1.05	.02301	.03801

* Deflection = L/180

Fastening Detail



Availability

- Finishes: Fluorpon® (KYNAR), WeatherX™ (SMP), or Acrylic Galvalume
- Gauge: 26 gauge or 24 gauge option

Fastening

- For proper fastener application refer to fastener charts, illustrations, and installation instructions. Take care to select the correct fastening method.

Length

- Minimum factory cut length is 4'-0". Maximum recommended panel length is 25'-0". Longer panels require additional consideration in manufacturing and assembly. Please consult ACM for recommendations.

Coverage

- KenLoc panels are available in a 1" or 1-1/2" rib height with a 16" or 14-7/8" nominal coverage.

Substrate

- To avoid oil canning or deformation of the KenLoc panel apply over a minimum 1/2"* or 5/8"* plywood substrate and a plum, level, & square substructure.

* Reference the KenLoc Installation Instructions for further information on the substrate.

Slope

- The KenLoc roof panel minimum recommended slope is 3:12.

PANEL TESTING

- Rated ASTM E-1592 (1-1/2" Rib)
- UL 1897 - Ultimate Uplift Rating of 200 PSF (1") and 130 PSF(1-1/2")
- UL 2218 - Class 4 Impact Resistance
- UL 580 - Class 90 Uplift - Construction #587 (1-1/2") and #600 (1") over 5/8" plywood



ACM Beloit
1600 Park Avenue
Beloit, WI 53511
ph: 608.365.0296
fax: 608.365.0493

ACM Houston
11615 Brittmoore Park Drive
Houston, TX 77041
ph: 713.466.1797
fax: 713.466.5404

ACM Tampa
5140 West Clifton Street
Tampa, FL 33634
ph: 813.884.0444
fax: 813.881.1738