
FASTPANELS™

STEEL ROOF SYSTEMS



Residential & Post Frame
INSTALLATION MANUAL



Revised 03/06/07

FastPanel™ Exposed Fastener Steel Roof Systems

INSTALLATION INSTRUCTIONS

Table of Contents

| | |
|---|----|
| Architect / Engineer Information | 4 |
| Product Information | |
| General Description of Fast Panels | 5 |
| General Notes | 6 |
| Proper Handling & Storage..... | 6 |
| Installation Tools and Equipment List | 7 |
| Installation Methods | 8 |
| Materials List (Fasteners, Flashing, and Sealants) | 10 |
| Trim Parts and Accessories | 12 |
| Designing Custom Trims | 15 |
| Fastening | |
| Fast Panels | 16 |
| General Fastening Guidelines | 17 |
| Pre-Installation Preparation - Sheathed Roof Surfaces | 17 |
| General Panel Installation | 20 |
| Building Overview | 22 |
| Pole Barn Overview | 23 |
| Installation Details - Illustrative Drawings | 24 |
| Notes | 32 |

Important note to the installer:

Carefully read and understand all installation instructions and study all of the installation details prior to starting installation of any FastPanel™ roof system. If a particular installation application associated with your installation is not addressed within these instruction details, contact your distributor for assistance. The Manufacturer will not warrant any installation methods not approved in writing. It is the installer's responsibility to ensure that FastPanel™ roof systems are installed properly and as recommended by the Manufacturer.

DISCLAIMER: The Manufacturer is not responsible for any typographical errors and reserves the right to change specifications without notice.

FastPanel™ Exposed Fastener Steel Roof Systems

INSTALLATION INSTRUCTIONS

Architect / Engineer Information

1. Coverage: The Perfect Rib, R & U FastPanels provide 36" of net coverage. The 5V Crimp FastPanels provide 24" of net coverage.
2. Minimum Roof Slope: FastPanels are hydrokinetic by design and, therefore, rely on gravity and slope to promote water shedding. A 3:12 slope or greater is recommended for all FastPanels.
3. Material Specifications: FastPanels meet all applicable ASTM A653 specifications for commercial steel Type B, G60 and G90 galvanized, ASTM A792 for commercial galvalume Type B AZ55 (with clear coat).
4. Finish: Painted, clear coat, and galvanized finishes for FastPanels meet or exceed the ASTM B117 Salt Spray (1000 hrs.), and ASTM G23 Accelerated Weathering (2000 hrs.).
5. Oil Canning: Oil canning is typical in all building panels and is not a cause for rejection.
6. Decking Application: FastPanels can be installed over a minimum of 7/16" solid Substrate. Substructures must be on an even plane from eave to ridge to avoid panel distortion. It is the installers responsibility to check with local and state building codes to ensure compliance. It is the building owners responsibility to see that the building is designed and built according to structural and building code requirements.
7. Weatherproofing: All FastPanels require sealing / caulking at the eave ends, ridge, laps, and valley conditions. See drawing details.
8. Fastening: For proper fastening application refer to fastener charts, illustrations, and installation instructions to follow. Take care to select the correct fastening method and schedule for your design requirements.
9. Accessories: All accessories and perimeter trim in this manual are based on the normal building panel dimensions and fabricated to the same material specifications.
10. Foot Traffic: Avoid any unnecessary foot traffic on FastPanels. If foot traffic is required, protect the roof panels by using some type of roof pad, temporary deck, or walkway between major ribs. Do not stand or apply weight directly on major ribs.
11. UL Testing: Refer to the Testing Information Chart below.
12. The information in this manual is believed to be accurate, but should not be used for specified applications without being reviewed by an architect or professional engineer.

UL Testing for FastPanels

| Profile | FastPanels | | | |
|-----------------------------|------------|-------------|---------|---------|
| | 5V Crimp | Perfect Rib | R Panel | U Panel |
| 790 Class A Fire | YES | YES | YES | YES |
| UL 2218 Class 4 Impact | YES | YES | YES | YES |
| UL 580 Class 90 Wind Uplift | YES | YES | YES | YES |

FastPanel™ Exposed Fastener Steel Roof Systems INSTALLATION INSTRUCTIONS

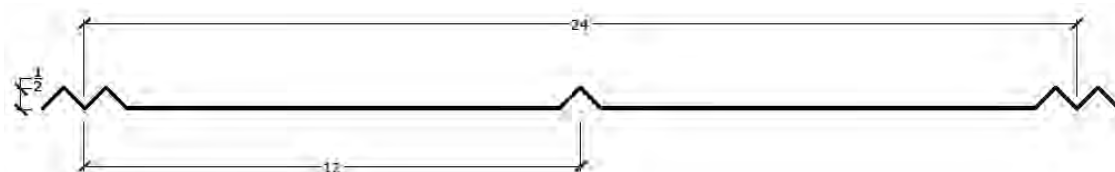
Product Information

General Descriptions for FastPanels

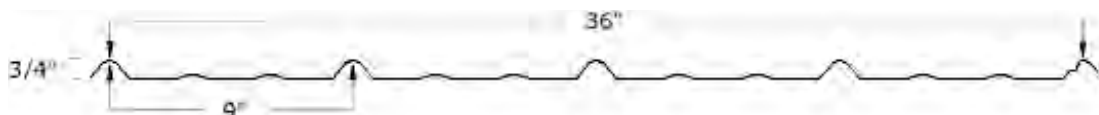
| | FastPanels | | | |
|----------------|--|-------------|---------|---------|
| Profile | 5V Crimp | Perfect Rib | R Panel | U Panel |
| Coverage Width | 24" | 36" | 36" | 36" |
| Minumum Slope | 3:12 | 3:12 | 3:12 | 3:12 |
| Attachment | Exposed Fastener | | | |
| Gauge | 29, 26 | 29, 26 | 26, 24 | 26, 24 |
| Finish | Siliconized Modified Polyester, Kynar 500® , Galvalume, Galvanized | | | |

Kynar 500® is a registered trademark of ELF Atochem North America, Inc.

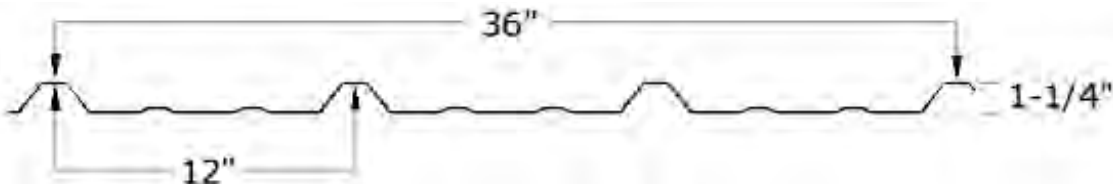
5V Crimp



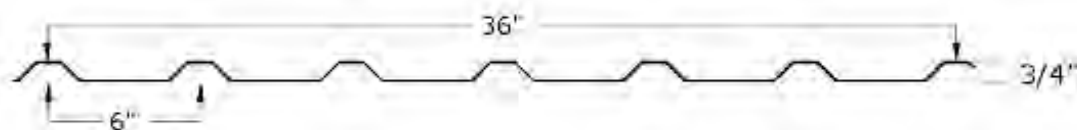
Perfect Rib



R Panel



U Panel



FastPanel™ Exposed Fastener Steel Roof Systems

INSTALLATION INSTRUCTIONS

General Notes

1. These installation instructions have been prepared to assist the installer with various recommended details and common obstacles encountered when installing metal roofing systems.
2. It is important that the panels are properly oriented in the same direction during installation. Panels may be erected by starting at either end of the building. It is recommended that the overlapping seams between panels be oriented away from prevailing wind and rain directions.
3. Care should be taken during installation to prevent spreading of the panel width. Spreading of the panel width could detract from its appearance and may lead to problems with installation of the trim accessories.
4. **Due to the inherent characteristics of the commercially available metals, some oil canning should be anticipated. Any oil canning experienced will not be cause for rejection.**
5. To prevent damage from excessive foot traffic it is recommended that the foot traffic on the panels be limited. However, should some foot traffic be necessary, boards or plywood strips should be used. Excessive foot traffic may lead to deformations of the ribs, or cause fasteners to telegraph through panels. Trim pieces should be end-lapped a minimum of 5". A strip of butyl tape and a bead of gun-grade sealant should be applied between the two pieces of metal to prevent weather penetration. Tape should be applied 2" in from the edge for expansion and contraction.

Proper Handling

1. It is recommended that panels be handled individually and on edge with one person every 10 feet. Handling panels other than on edge may result in panel buckling, causing permanent deformation.
2. Extra care should be taken when handling skids of material with a forklift or similar lifting equipment to avoid damaging panels through the bottom of the skid. For skids over 20' long, it is recommended that a crane or spreader bar-type assembly be used to prevent buckling or other damage to the panels.
3. Panels should not be dragged onto the roof over the eave line from the ground level. This method of handling may result in panel buckling or other permanent damage.
4. Proper handling and storage of the FastPanels and accessories is the responsibility of the installer or end user.

Proper Storage

1. If the material is not used immediately, it should be stored in a dry place to minimize the possibility of exposure to any type of moisture. Moisture (rain, snow, condensation etc.) trapped between panels may result in water stains or white rust that could affect the service life of the material and detract from its appearance.
2. It is recommended that the banding material be removed at the earliest opportunity, preferably once all major moving of panels is completed.
3. If outdoor storage cannot be avoided, protect the material with a canvas or waterproof paper cover. Plastic or similar materials that can cause sweating or condensation should not be used. In addition to covering the material, keep it off the ground in an inclined position with an insulator such as wood.

FastPanel™ Exposed Fastener Steel Roof Systems

INSTALLATION INSTRUCTIONS

Installation Tools & Equipment

To ensure safety and ease of installation, the following equipment and tooling is suggested, but not limited to:

1. Safety glasses
2. Work gloves appropriate for handling metal
3. Carpenter hammer
4. Tape measure
5. Metal cutting scissors (electric or air and handheld)
6. Chalk line
7. Screw gun (electric or air)
8. Electric drill
9. Drill bits, 1/8"
10. Carpenter square
11. Angle finder (to determine angle of panel cuts on valleys etc.)
12. Straight edge
13. Wax pencil or equivalent
14. Pop rivet gun
15. Caulk gun
16. Rubber mallet

FastPanel™ Exposed Fastener Steel Roof Systems

INSTALLATION INSTRUCTIONS

Installation Methods

ROOFING: The side laps should face away from prevailing winds and driving rain. Therefore, begin installation by laying the first panel square with the eave, which is at the downwind end of the roof, furthest from the direction of prevailing winds.

To aid in water run-off, roofing panels must be at least flush with the outermost edge of the roof edge trim or allowed to overhang at the eave beyond the outer edge of the roof edge trim. At the gable edge, apply a standard side rake trim or side wall trim if the gable is against a wall. This will guard against lifting in high winds and provide a finished appearance. Refer to installation details for proper fastening schedule.

FASTENING: To assure a more positive seal, use a screw with combination metal and neoprene washers. For steel building panels attached to wood substrates, a plated wood grip screw should be used. Do not drive too far and dimple the metal, as water will collect at the dimpled area and leak through. This is particularly critical when fastening through the panel's ribs. Refer to page 16 for the correct fastener locations for your type of panel.

ROOF DECK: The material to which the metal panel is fastened should be properly spaced and sufficiently thick to provide a roof or wall system with adequate structural strength. On solid decking on re-roofing jobs where the soundness of the old decking is in question, new nailing strips should be fastened through the old sheathing and into the rafters. This will insure a secure base for the sheets.

For panel fastening, it is recommended that a nominal lumber thickness of 2" for superior nail-holding ability. The fastener should achieve a minimum 1" penetration into the wood. It should be noted that 1" nominal is actually 3/4" thick for dimensional lumber. Fasteners need not be so long as to go all the way through the strip, girt or decking, as no additional holding power is gained. Softwood (kiln-dried) is recommended for girts, or decking (pine, fir, hemlock, and spruce); hard varieties such as oak make it difficult to nail into. In addition, nails in hardwoods and softwoods which are not kiln-dried, may loosen as the wood seasons fully.

CUTTING METAL PANELS: A portable electric shear is recommended for cutting perpendicular across the panel profile. Use of a steel cutting blade or an abrasive self-consuming blade in an electric saw is not recommended. When cutting painted products, the sheet should be turned reverse side up in order that the metal particles and filings do not become embedded and cause rust marks on the face of the panel. Panels should be cut in a location such that the metal particles and filings from cutting will not settle on other panels. In addition, all cut panels should be thoroughly brushed after installation to insure the removal of all metal particles and filings. Metal snips are sometimes used; however, maintaining uniformity is difficult. Therefore it is recommended that a portable electric shear be used for cutting panels to length. You should also wear safety glasses and protective wear when cutting metal.

FastPanel™ Exposed Fastener Steel Roof Systems

INSTALLATION INSTRUCTIONS

Installation Methods

BUILDING DESIGN AND CONSTRUCTION: To insure adequate performance and longevity, the metal panel must be protected from potentially corrosive materials. Panels should not be installed over green or damp lumber. However, if installing panels over green or damp lumber, a vapor barrier must be installed to separate the panels from the wood. Likewise, dissimilar metals with the exception of stainless steel also require a protective barrier between them before being joined.

Plastic, builder's felt, or bituminous paint may be used as a vapor barrier between the wood and metal panel. In addition to these materials, asphalt, caulking compound, or gasket material may be used to separate dissimilar metals. Porous insulation board may absorb and retain moisture. Because of this, a vapor barrier should be installed such that moisture is prevented from contacting both the insulation and the metal panel.

Fertilizer, lime, acids, feeds, manure and soils also have the potential to initiate corrosion in a metal panel. These and other potentially corrosive chemicals should be adequately insulated from contact with metal panels.

FastPanel™ Exposed Fastener Steel Roof Systems

INSTALLATION INSTRUCTIONS

Materials List

The following materials and fastening methods are recommended but not limited to for ease of installation of FastPanels. It may be necessary to employ other methods and materials depending upon design and application.

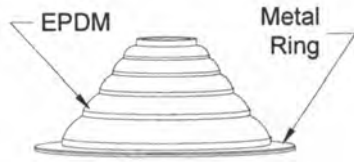
Screw Fasteners

The fasteners listed below are considered standards. The use of same style or type fastener, which is larger, and of an equivalent length or longer length is acceptable, such as substituting a #10 for a #9. However, the performance of the roof panels is based upon the use of the fasteners listed below. Typically, using a larger fastener will improve performance; however, before substituting fasteners check with an engineer or architect and any applicable local and state code requirements.

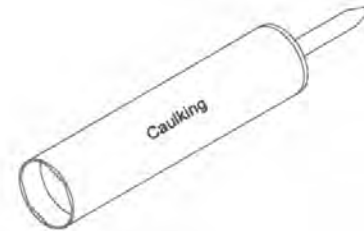
| DIMENSIONS | |
|------------|--|
| A | # 9 X 1" Hex Washer Head w/sealing washer |
| B | # 9 X 1.5" Hex Washer Head w/sealing washer |
| C | # 9 X 2.5" Hex Washer Head w/sealing washer |
| D | # 10 X 1" Hex Washer Head w/sealing washer |
| E | # 10 X 1.5" Hex Washer Head w/sealing washer |
| F | # 10 X 2.5" Hex Washer Head w/sealing washer |
| G | # 10 X 1" Pancake Head |
| H | # 10 X 1" Hex Washer Head Self-Drilling w/sealing washer |
| I | # 10 X 2" Hex Washer Head Self-Drilling w/sealing washer |
| J | # 14 X 3.4" Hex Washer Head Self-Drilling w/sealing washer |
| K | # 10 X 1 Pancake Head Self-Drilling |

FastPanel™ Exposed Fastener Steel Roof Systems INSTALLATION INSTRUCTIONS

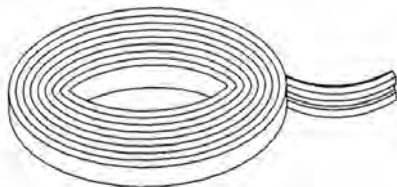
Pipe Flashing and Sealant,



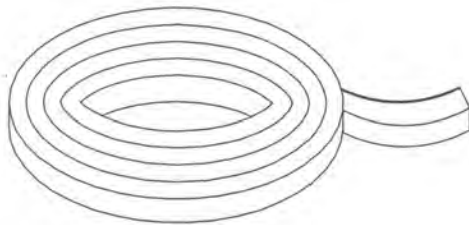
Rubber Pipe Flashing
Weather Resistant and UV-Resistant
Available in Various Sizes



Gun Grade Acrylic Sealant



Butyl Tape



Non Formed Closure Strip



Profile Vent®



Outside Closure (Perfect Rib Shown)



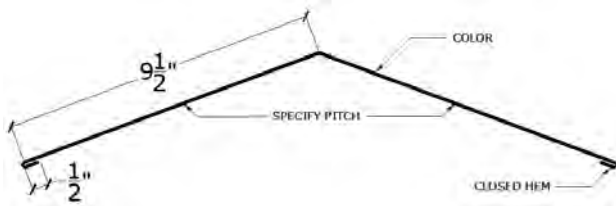
Inside Closure (Perfect Rib Shown)



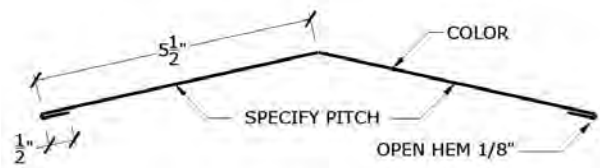
1/8" X 3/16" Stainless Steel Pop Rivets

FastPanel™ Exposed Fastener Steel Roof Systems INSTALLATION INSTRUCTIONS

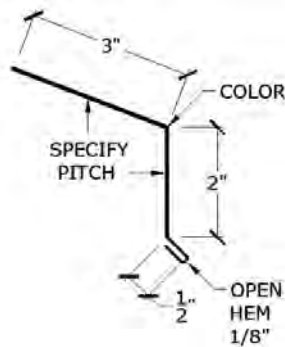
Standard Trims



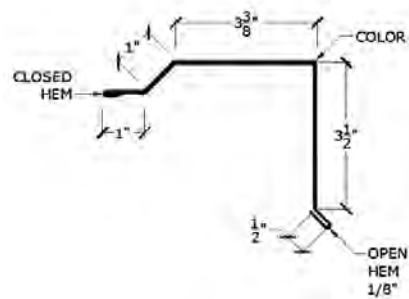
Ridge Cap 20"



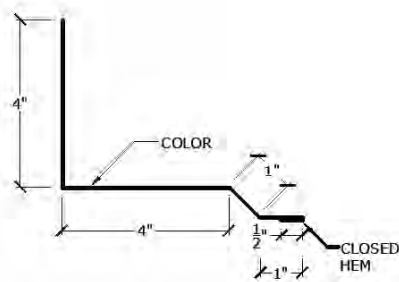
Hip Cap 12"



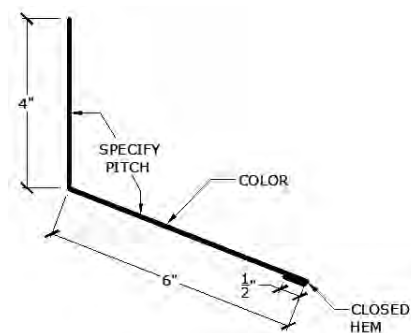
Roof Edge



Side Rake



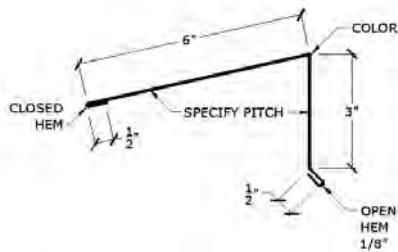
Rake Wall



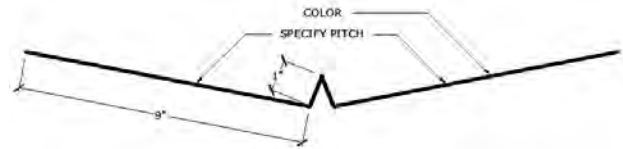
End Wall

FastPanel™ Exposed Fastener Steel Roof Systems INSTALLATION INSTRUCTIONS

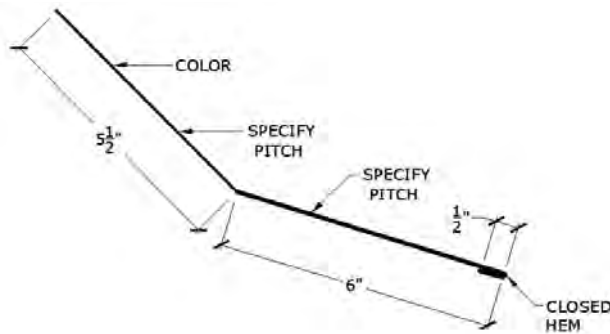
Standard Trims



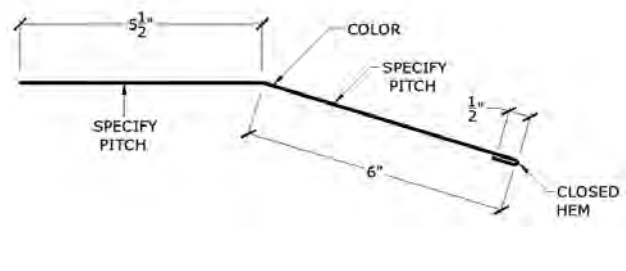
Peak Wall



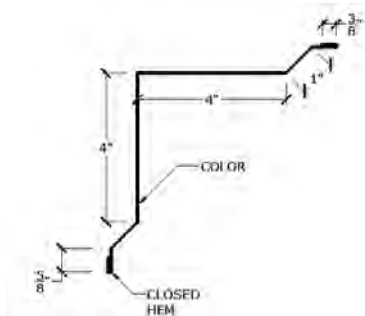
W-Valley 20"



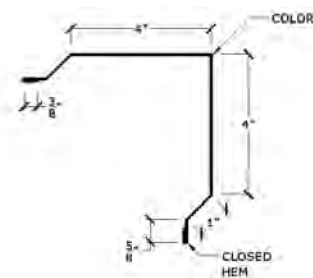
Pitch Transition



Gambrel Transition



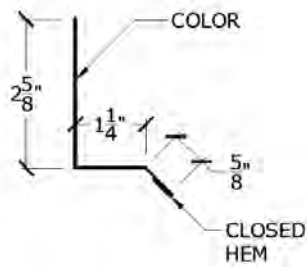
Inside Corner



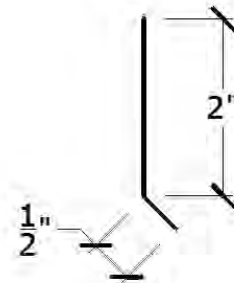
Outside Corner

FastPanel™ Exposed Fastener Steel Roof Systems INSTALLATION INSTRUCTIONS

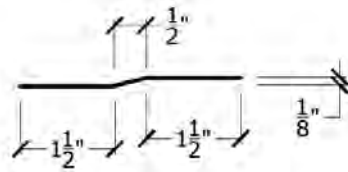
Standard Trims



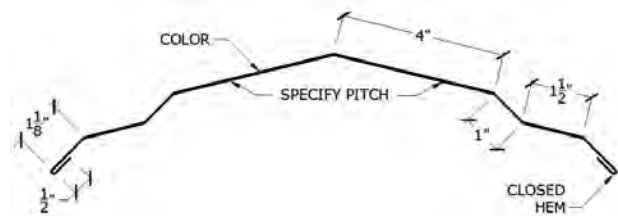
Base Trim



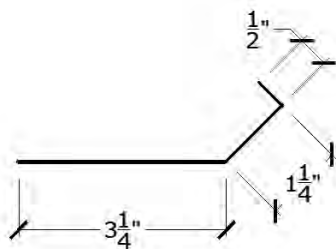
Cleat



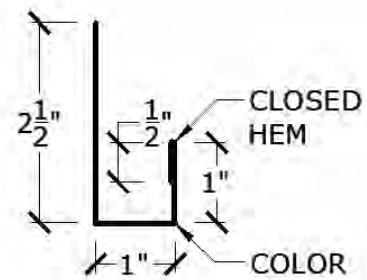
Offset Cleat



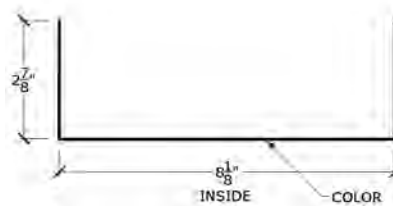
Vent Ridge



Vent Flashing



J Closure



Jam Cover

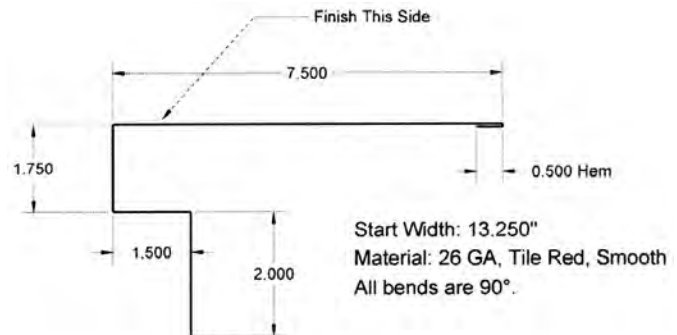
FastPanel™ Exposed Fastener Steel Roof Systems

INSTALLATION INSTRUCTIONS

Designing Custom Trims

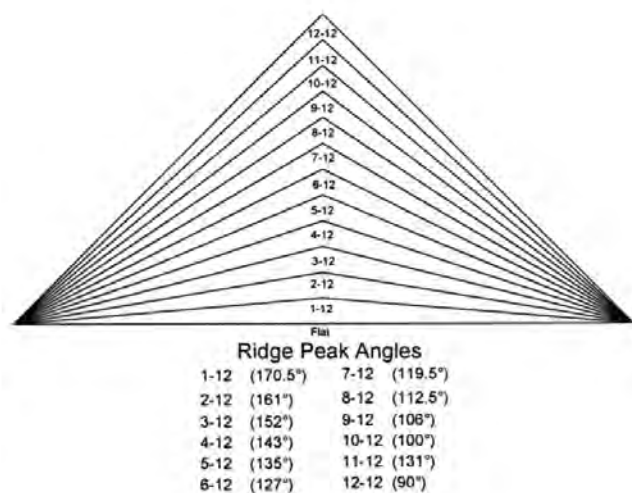
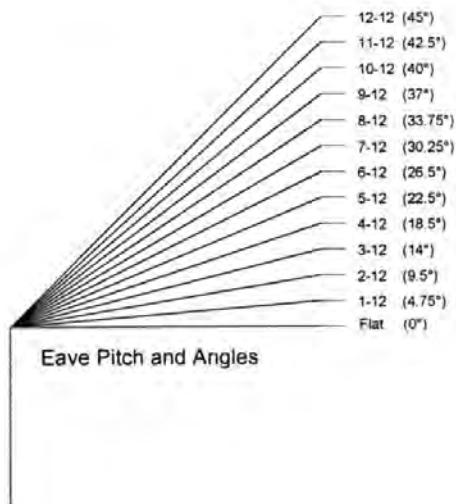
The FastPanel standard trim parts will address most common roofing applications; however, many jobs will require some custom flashing to address specific architecture. In these cases it is the responsibility of the installer to design a trim part to meet the application needs. When designing custom trim parts, they will likely resemble a standard trim part but with slight dimensional variations. Others may require a completely new profile. Whether designing modified trim parts or new trim parts altogether, it is important to follow the guidelines below to best communicate your needs.

1. Always specify the flat start width or girth of the part (including all hems).
2. Dimension all trim part sections from the starting edge of the part to the first bend, then from last measured bend to the next bend, and so on until all sections are dimensioned to the ending edge of the part.
3. Dimension all bend angles from section line to section line.



4. Never dimension parts to non-existing or invisible lines.
5. All hems will be 1/2" and must be specified on the parts starting and ending edges. Please indicate if hems are open or closed. For hems other than 1/2" consult your sales representative.
6. Always specify the side that the "finish" or "paint" should be on.
7. Always specify the gauge, and color of the parts.
8. All custom trim parts come in 10-foot lengths. For lengths other than 10 feet, consult your sales representative.

Use the "Roof Pitch Angles" information below to assist in your trim part design. Flat sheet stock is also available for on-site custom trim fabrication. See the trim part dimensional above.



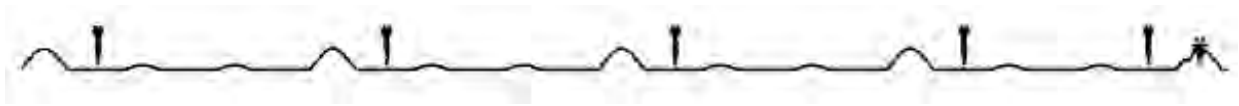
FastPanel™ Exposed Fastener Steel Roof Systems INSTALLATION INSTRUCTIONS

Fastening

Fastener Locations



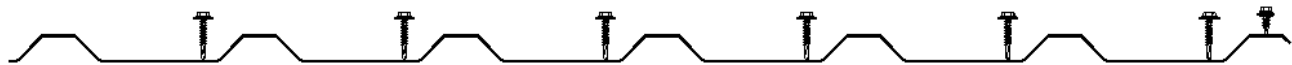
5V Crimp



Perfect Rib



R Panel



U Panel

FastPanel™ Exposed Fastener Steel Roof Systems

INSTALLATION INSTRUCTIONS

Fastening

General Fastening Guidelines

Valley Parts and Accessories

When FastPanels intersect a valley, the proper fastening method is to locate fasteners 1" to 2" back from the cut panel edge and fasten with the appropriate fastener at least 6" on center along each side of the valley panel overlap. Additional sealing of fasteners, valley and panel lap, and panel ribs is recommended to help ensure weatherproof installations. Refer to the installation illustrations of valley applications for more detail.

Trim Parts and Accessories

After installing the panels, most finishing trim and accessories are installed to complete and weatherproof the installation. Fasteners are not to exceed more than 12" on center for most applications. Refer to the installation illustrations of the standard applications for more detail. If you do not find your application addressed in the instructions, consult your engineer, architect or sales representative for an additional recommendation. Additional sealing of fasteners, closures, panel lap, and panel ribs are recommended to help ensure weatherproof installations.

Weather Resistant Fastening

To help ensure that panels and fasteners are providing weather resistance, always seal panel edges such as eave, valley, ridge and similar applications with butyl tape and acrylic sealant. Take care to position fasteners so that they are driven either through the butyl tape or behind the butyl tape, meaning that the butyl tape is between the weather exposed panel edge and the fastener. If the fastener is placed in front of the butyl tape so that it is between the tape and the weather exposed edge, the potential for water penetration due to siphoning is greatly increased.

Pre-Installation Preparation

Sheathed Roof Surfaces *(Refer to Illustration on page 19)*

1. All truss and roof construction must meet all applicable federal, state, and local codes. Ensure that all fasteners are flush or recessed into the decking material and staggered for best application. Decking material shall be a minimum of 7/16" thick and rated as structural sheathing.
2. Install the roof edge trim along the eave edge of the roof deck. Fasten into place with fasteners spaced at 8" to 12" on center. Fasteners should be positioned within 1/2" of the inside edge of the rake edge trim. Fasteners can be plastic cap or staples. Do not use tin caps. If tin caps are used, use an additional layer of # 30 felt installed in the same direction of the panels as a supportive sheet.
3. Install the first layer of 30" minimum width # 30 felt or # 30 ASTM felt (when code requires) along the eave line. Felt should be positioned to overlap the rake edge trim, cover rake edge trim fasteners and allow 1" of the outside edge of the rake edge trim to be exposed. The roofing felt should be positioned to maintain a minimum of 12" from the felt edges to any covered decking material seams. Fasten roof felt into place as required to hold it until the roof panels are installed. Take care to ensure fasteners are flush or recessed with decking material. Do not over-fasten.

FastPanel™ Exposed Fastener Steel Roof Systems

INSTALLATION INSTRUCTIONS

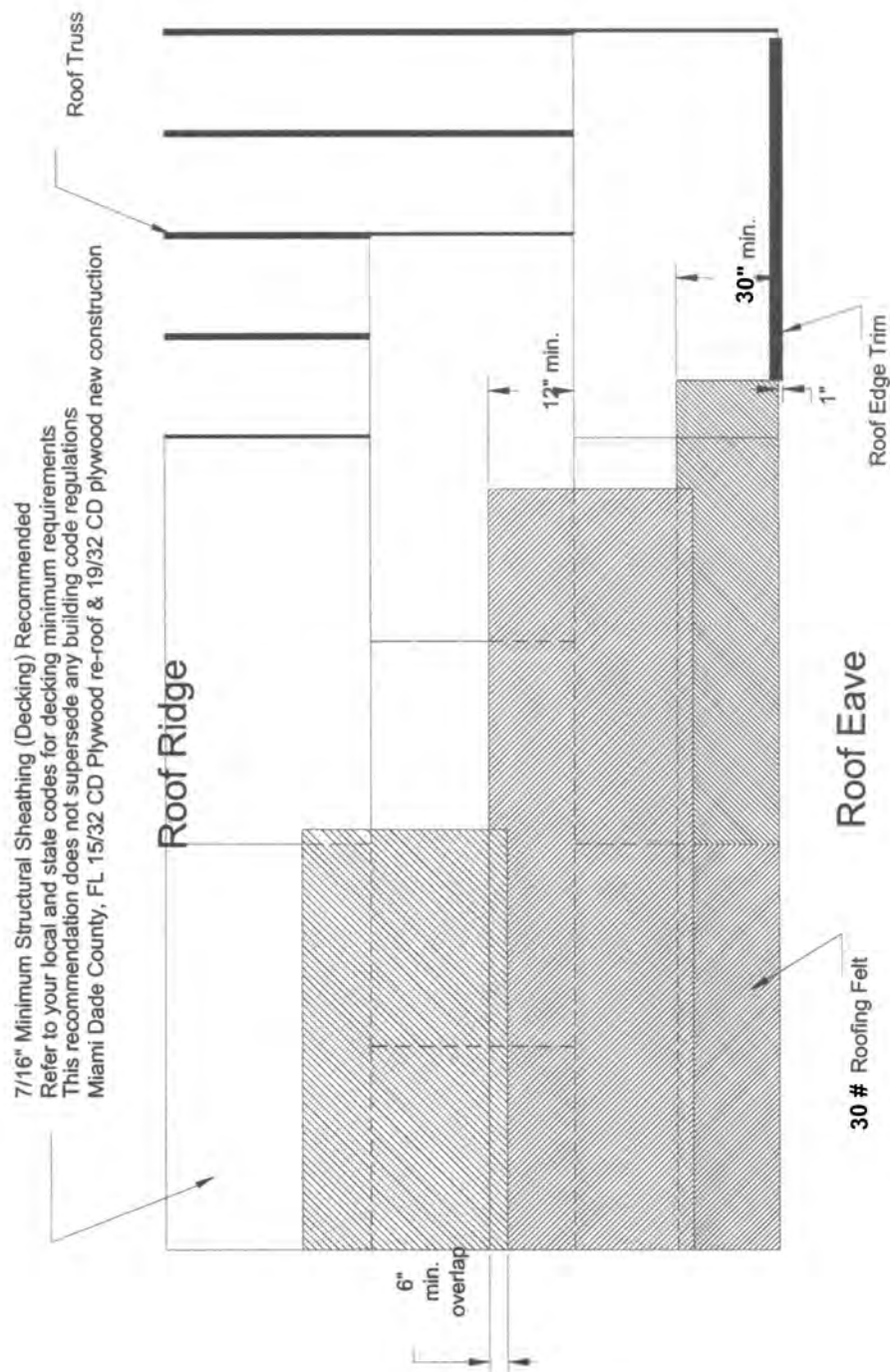
Pre-Installation Preparation

4. Install the second layer of roofing felt insuring that its bottom edge overlaps the top edge of the first layer by a minimum of 6". The roofing felt should be positioned to maintain a minimum of 12" from the felt edge to any covered decking material seams. Fasten the roof felt into place to hold it until the roof panels are installed. Take care to ensure fasteners are flush or recessed with decking material. Do not over-fasten.
5. Install the remaining layers of roofing felt following the procedure described in # 4 above.
6. When installing the final piece of roofing felt, overlap the felt a minimum of 4" over the ridge onto the adjoining side of the roof. If utilizing a vented ridge, fold the roofing felt over into the vent area leaving a 2" overhang into the vent area, rather than overlapping the ridge. Fasten into place.
7. Other types of underlayments are acceptable as long as they exceed performance of the specified # 30 minimum asphalt saturated roofing felt.
8. A modified asphalt sheet or non-granulated ice & water shield sheet should be installed in the valleys positioned so 18" extend on either side of the center line of the valley. 36" modified roll or non-granulated ice & water shield should be installed horizontally on the eave and vertically at the rake edge. Installation should be in accordance with manufacturer's recommendations.

FastPanel™ Exposed Fastener Steel Roof Systems

INSTALLATION INSTRUCTIONS

GENERAL DECK INSTALLATION



FastPanel™ Exposed Fastener Steel Roof Systems

INSTALLATION INSTRUCTIONS

General Panel Installation

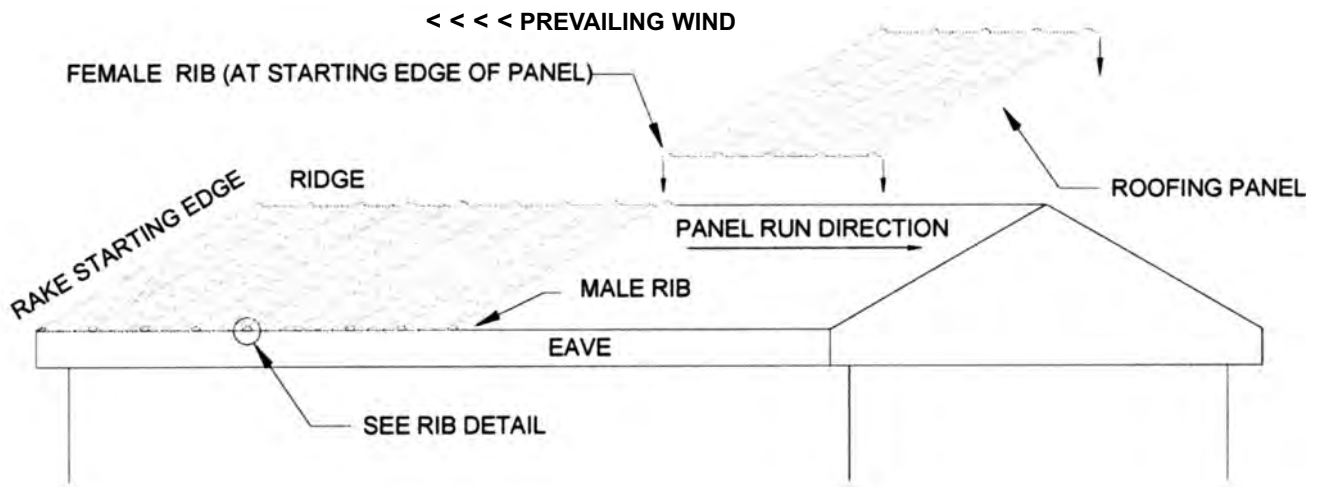
Sheathed Roof Surfaces *(Refer to Illustration on page 21)*

1. FastPanels are easily installed by overlapping the female rib over the male rib. Refer to the various panel detail illustrations on page 5 for clarification.
2. After installing the roof edge trim and roofing felt as described in the Pre-Installation Preparation section, install a layer of 7/8" minimum sealant tape along the outside edge of the roof edge trim.
3. Prior to installing any panels, consult your panel lay out drawing for the building you are roofing. These drawings will show the correct panel lengths for various locations on the roof.
4. After consulting the panel drawing, measure the specified distance from the starting rake. Use a chalk line to mark the decking or purlins.
5. In order to simplify installation and keep the panels aligned, it is recommended that the installer measure a distance equal to 4 times the panel width away from the starting edge (rake) and mark this point by striking a chalk line (guide line) from the ridge to the eave. This mark can be used as a guide during installation. The installer may wish to repeat this process every 4 panels to limit any panel drift.
6. Slide the first panel into place and align it with the chalk line. Take care to ensure that the first panel is accurately aligned to prevent any panel drift on ensuing panels.
7. Fasten the panel into place using # 9 or # 10 -15 X 1" Hex Washer Head wood grip screws. Take care to ensure that the fasteners are flush with the surface of the panels. Do not over-drive the fasteners, which could lead to stripping or metal failure during wind loading.
8. Install the next panel by positioning the lap (female) rib over the purlin (male) rib of the previous panel and align it at the eave end, referencing the previous panel and the eave line. Minor adjustments to panel position can be made by lightly tapping on the end of the panel with a piece of wood. Take great care not to damage the panel when tapping the ends. Once the panel is properly positioned, fasten the panel into place in the same manner as the first panel. Prior to fastening the panels at the eave line, insert the foam inside closure (if applicable) and fasten into place. Continue this process for all panels.
9. Maintain a straight, even line at the roof eave line. In order to accomplish this it is critical that the first panel is perpendicular to the eave line. Additionally, the installer should take caution to prevent spreading of the panels during installation.
10. Prior to attaching the eave fasteners, install any applicable foam inside closures. Take care not to under tighten or over tighten fasteners, either could result in potential water penetration. The foam outside closures at the ridge must be put into place prior to installing the ridge cap. Refer to the ridge installation details.
11. Refer to the Installation Details section for illustrations of trim and flashing installation.

FastPanel™ Exposed Fastener Steel Roof Systems INSTALLATION INSTRUCTIONS

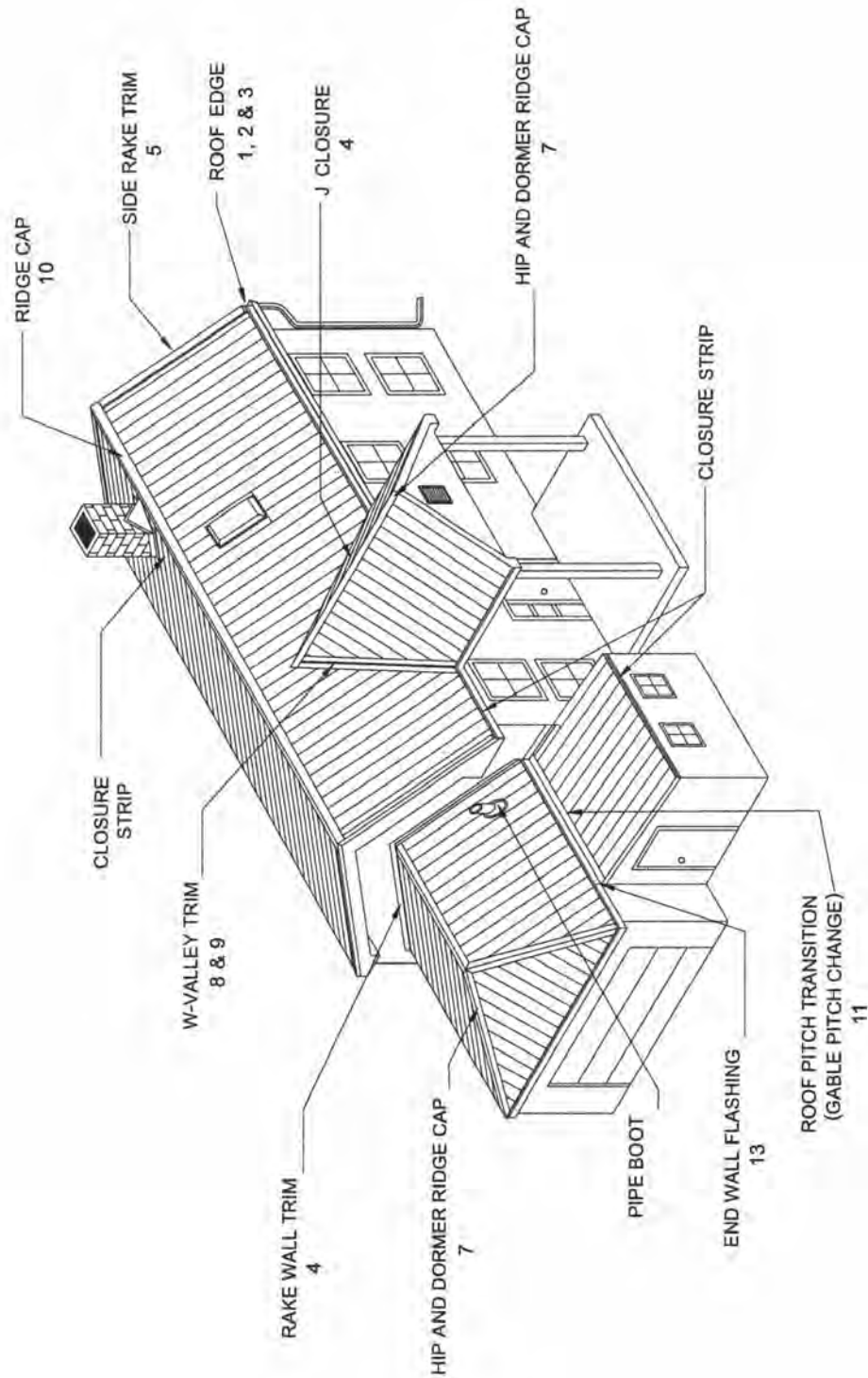
General Panel Installation

NOTE: Always install panels with the panel lap away from prevailing wind and rain.



FastPanel™ Exposed Fastener Steel Roof Systems INSTALLATION INSTRUCTIONS

Building Overview



FastPanel™ Exposed Fastener Steel Roof Systems

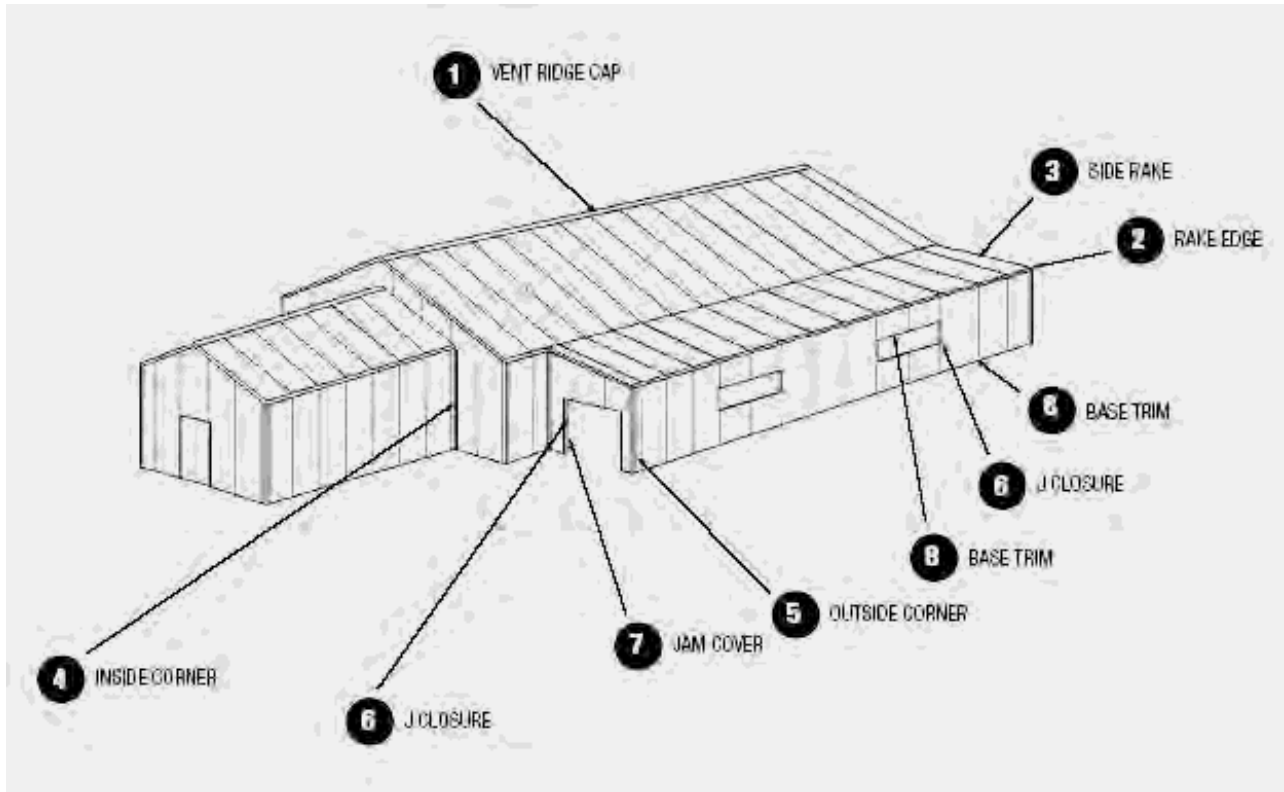
INSTALLATION INSTRUCTIONS

General Panel Installation for Vertical Walls

1. FastPanels can easily be installed vertically to form exterior walls by overlapping the female rib over the male rib. Refer to the various panel detail illustrations on page 5 for clarification.
2. Install the Base Trim as shown in the Base Trim Detail illustration found on Page 30 of this Manual. The Base Trim should be installed level to insure proper alignment of vertical wall panels.
3. Install all J Closures and Jam & Header Covers as shown in the Installation Detail illustrations found on Page 32 of this Manual. A level should be used to insure proper alignment of all J Closures.
4. Prior to installing any panels, consult your panel lay out drawing for the building you are covering. These drawings will show the correct panel lengths for various locations on the building.
5. After consulting the panel drawing, measure the specified distance from the starting corner. Use a chalk line to mark the location of the first panel.
6. In order to simplify installation and keep the panels aligned, it is recommended that the installer measure a distance equal to 2 times the panel width away from the starting edge (corner) and mark this point by striking a vertical chalk line (guide line) from the soffit (or eave) to the base. This mark can be used as a guide during installation. The installer may wish to repeat this process every 2 panels to limit any panel drift.
7. Set the first panel into place and align it vertically by checking it with a level. Take care to ensure that the first panel is accurately aligned to prevent any panel drift on ensuing panels.
8. Fasten the panel into place using # 9 or # 10 -15 X 1" Hex Washer Head screws. Take care to ensure that the fasteners are flush with the surface of the panels. Do not over-drive the fasteners, which could lead to stripping or metal failure during wind loading.
9. Install the next panel by positioning the lap (female) rib over the purlin (male) rib of the previous panel and align it at the base, referencing the previous panel and the soffit (or eave) line. Once the panel is properly positioned, fasten the panel into place in the same manner as the first panel. Prior to fastening panels at the base line, insert the foam inside closure (if applicable) and fasten into place. Continue this process for all panels.
10. Maintain a straight and even alignment at the base line. In order to accomplish this it is critical that the first panel is perpendicular to the base line. Additionally, the installer should take caution to prevent spreading of the panels during installation.
11. Prior to attaching the panel fasteners at the soffit (or eave), install any applicable foam inside closures. Take care not to under tighten or over tighten fasteners, either could result in potential water penetration.
12. Refer to the Installation Details section for illustrations of all trim and flashing installation including Inside and Outside Corners.

FastPanel™ Exposed Fastener Steel Roof Systems INSTALLATION INSTRUCTIONS

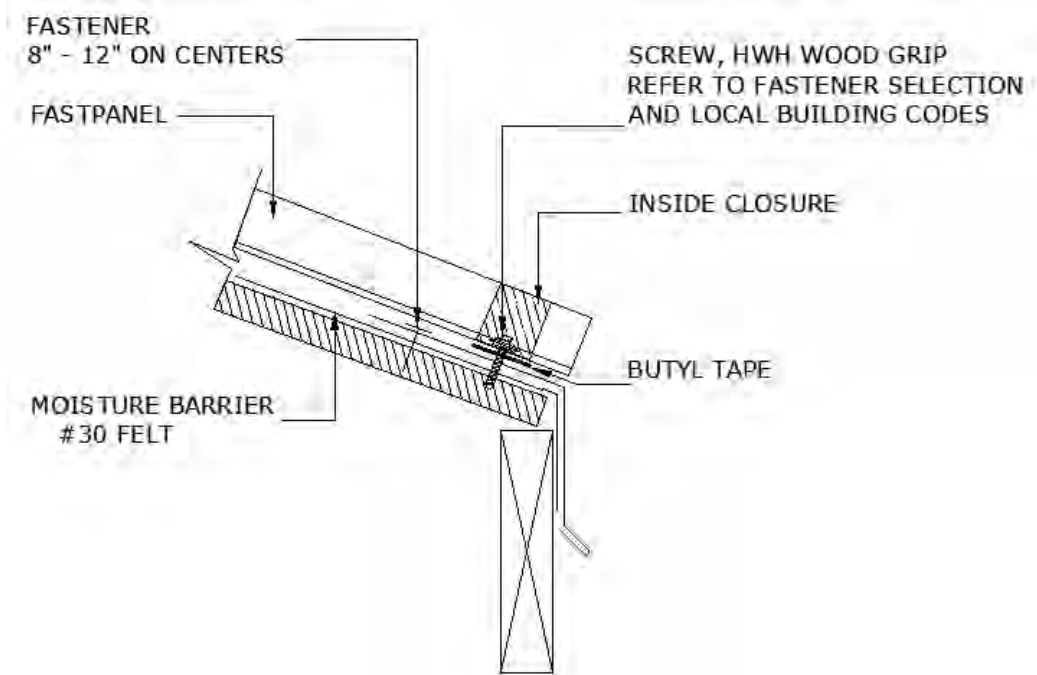
Pole Barn Overview



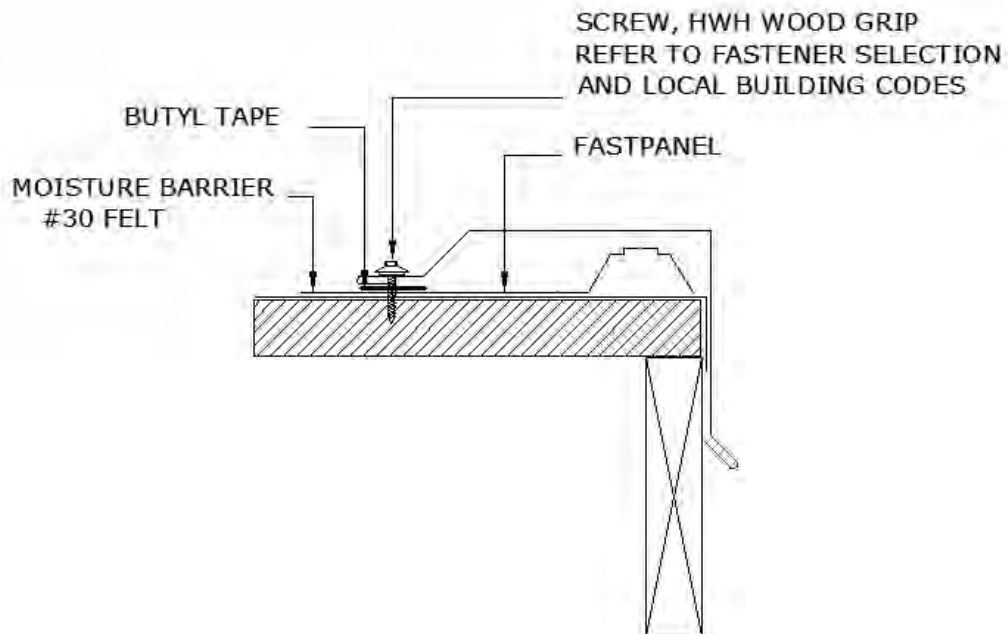
FastPanel™ Exposed Fastener Steel Roof Systems INSTALLATION INSTRUCTIONS

Installation Details

EAVE DETAIL



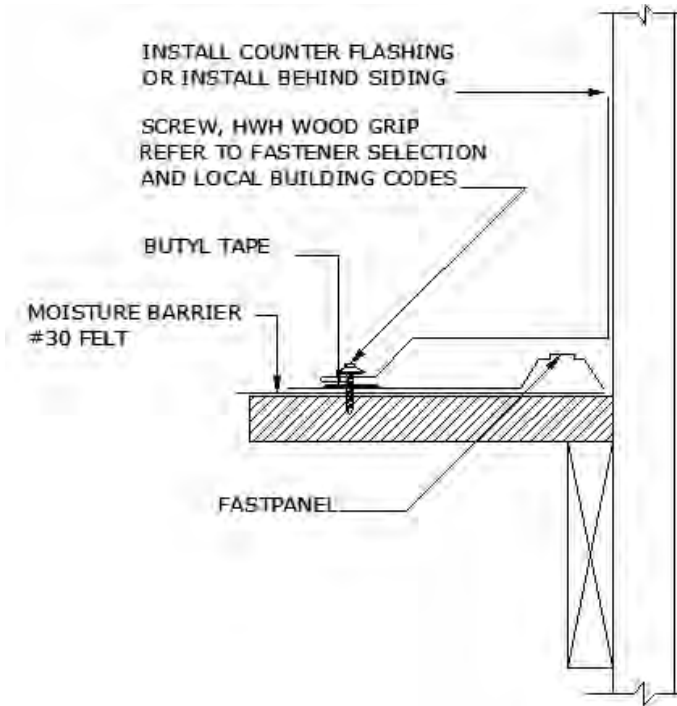
SIDE RAKE DETAIL



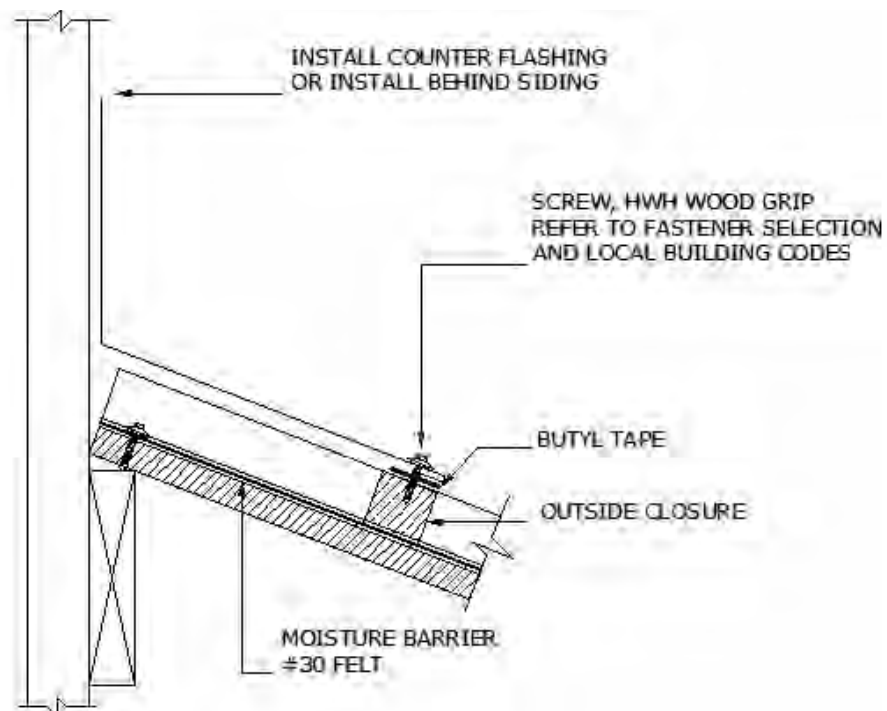
FastPanel™ Exposed Fastener Steel Roof Systems INSTALLATION INSTRUCTIONS

Installation Details

RAKE WALL DETAIL



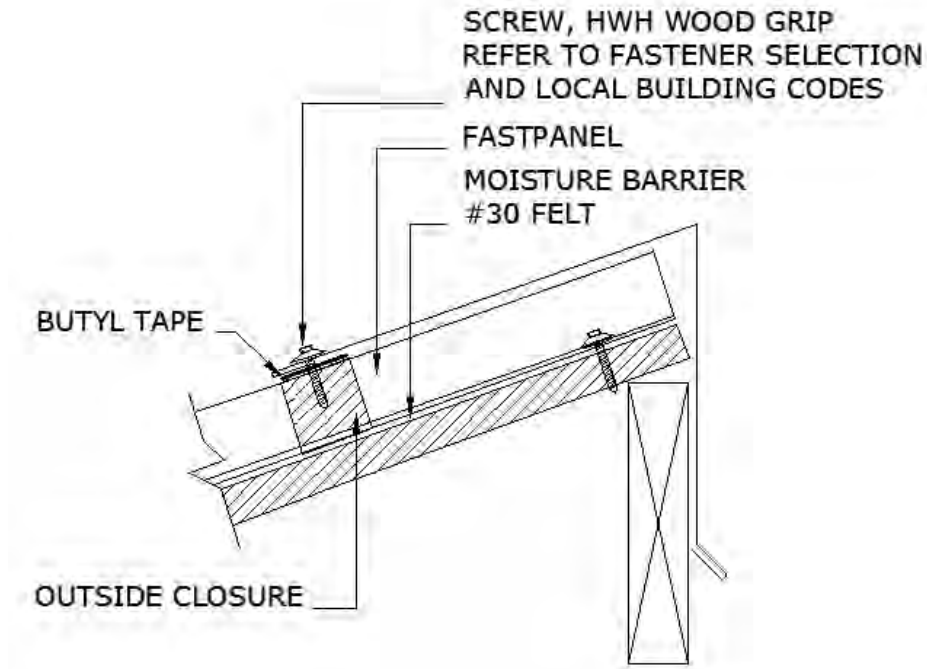
END WALL DETAIL



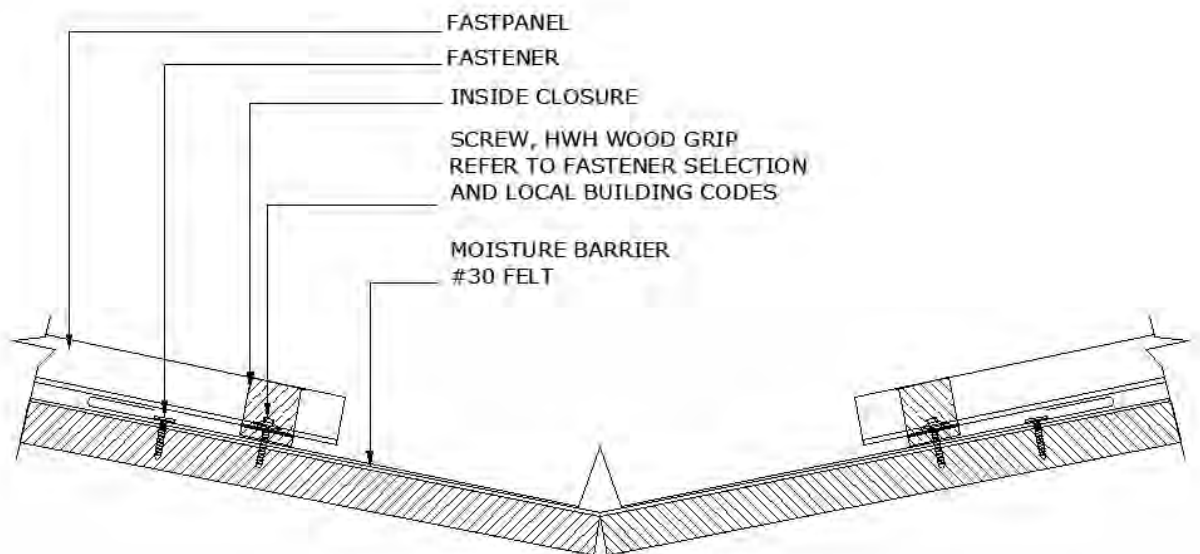
FastPanel™ Exposed Fastener Steel Roof Systems INSTALLATION INSTRUCTIONS

Installation Details

PEAK WALL DETAIL



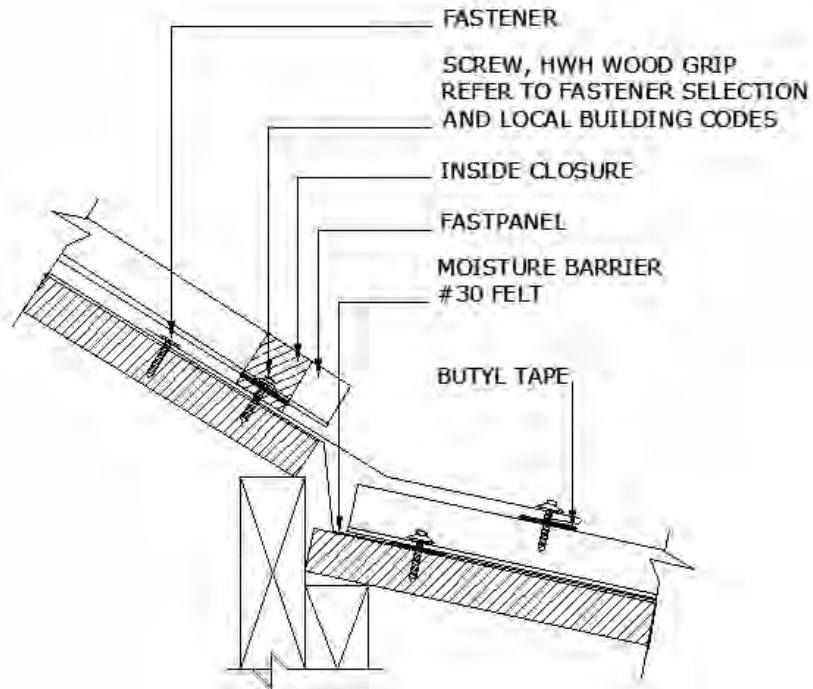
VALLEY DETAIL



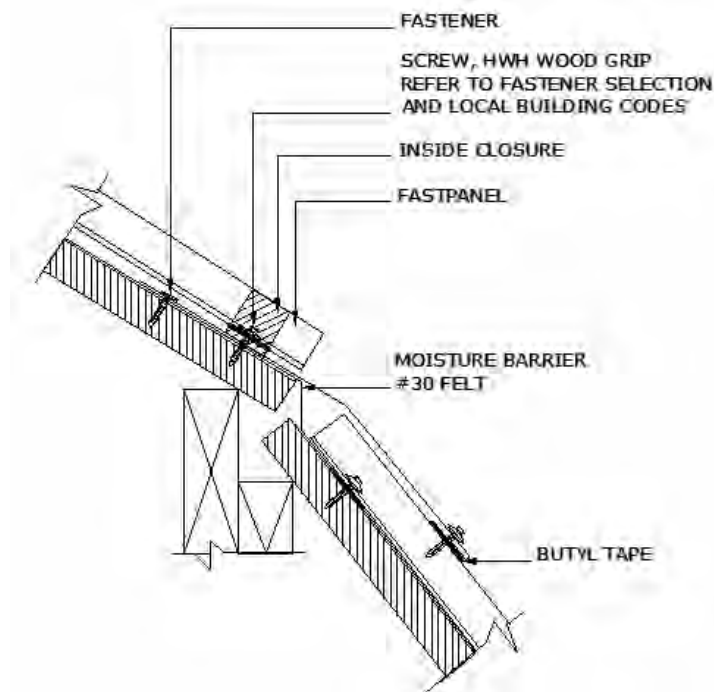
FastPanel™ Exposed Fastener Steel Roof Systems INSTALLATION INSTRUCTIONS

Installation Details

PITCH TRANSITION DETAIL

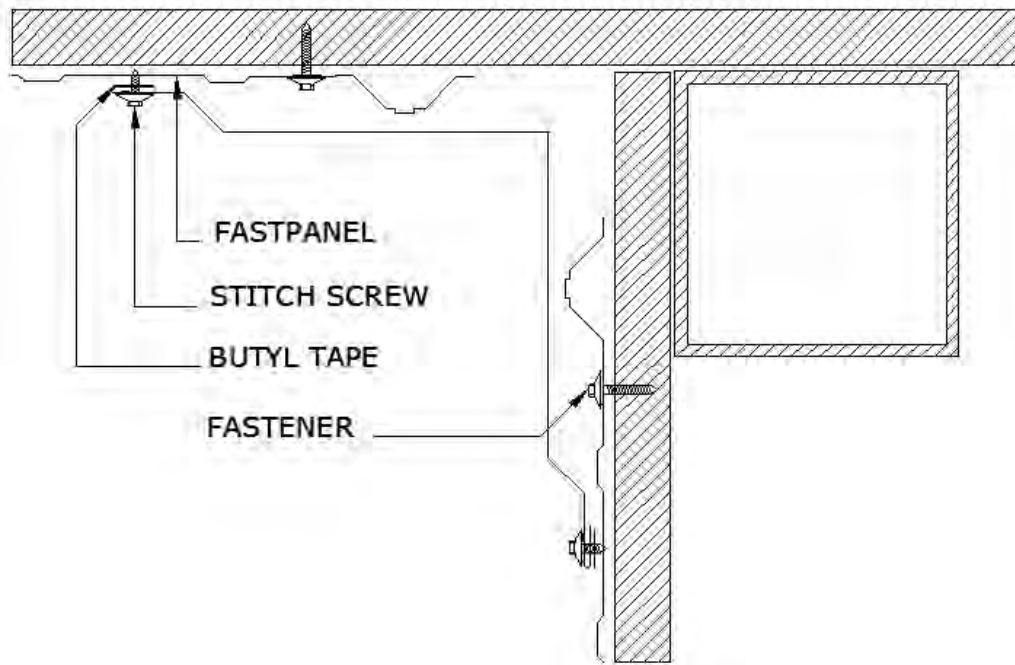


GAMBREL TRANSITION DETAIL

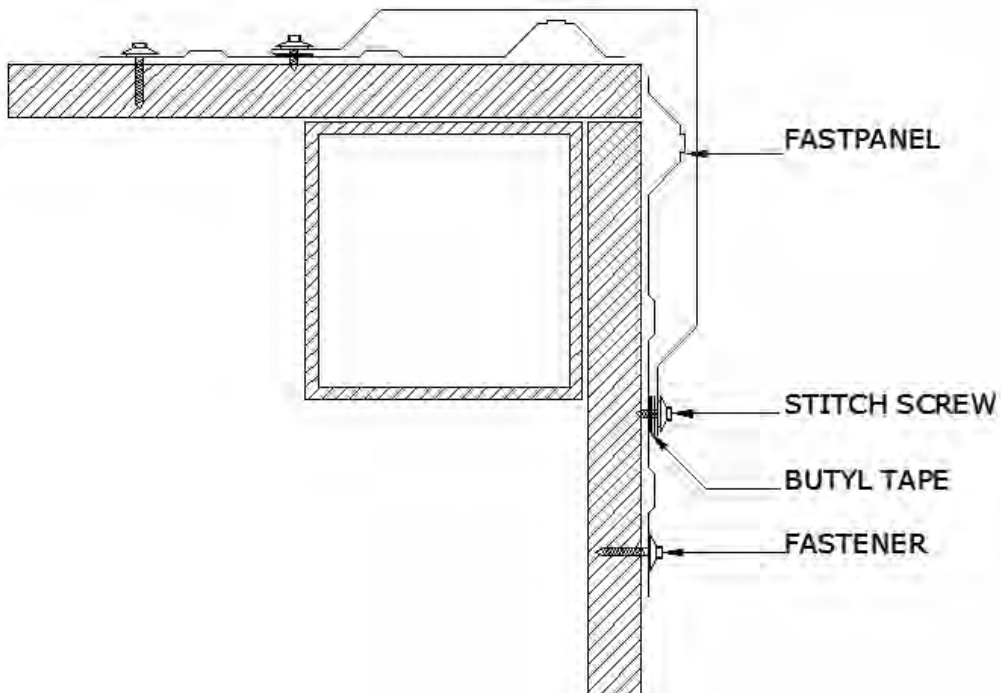


FastPanel™ Exposed Fastener Steel Roof Systems INSTALLATION INSTRUCTIONS

Installation Details INSIDE CORNER DETAIL



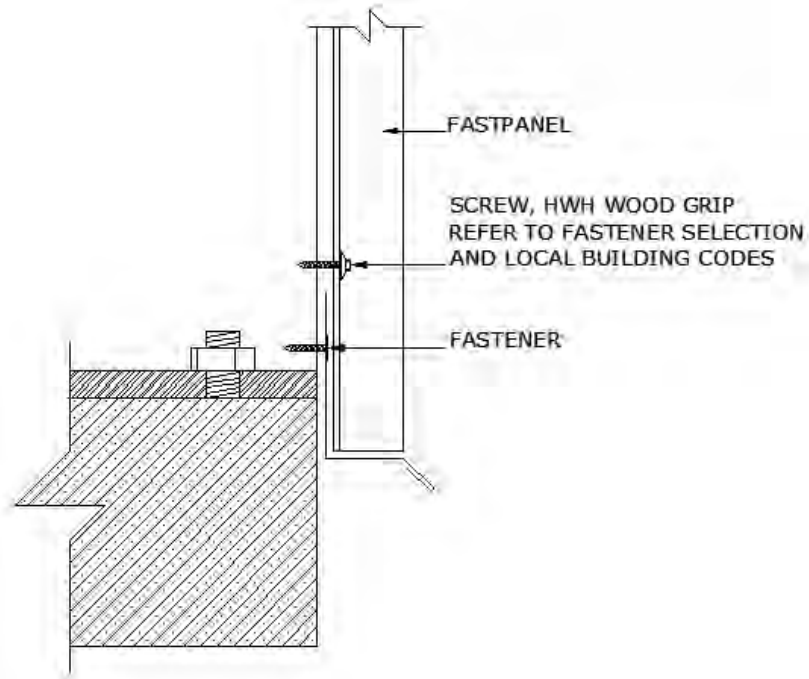
OUTSIDE CORNER DETAIL



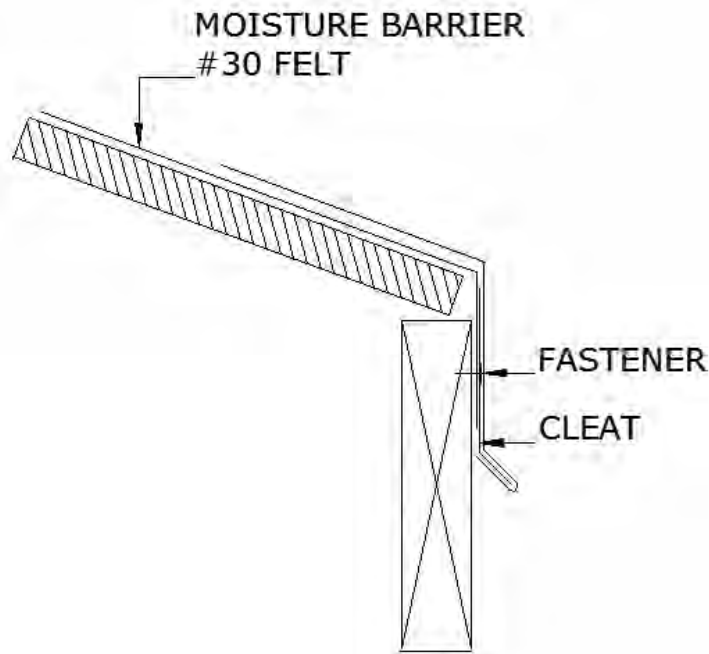
FastPanel™ Exposed Fastener Steel Roof Systems INSTALLATION INSTRUCTIONS

Installation Details

BASE TRIM DETAIL



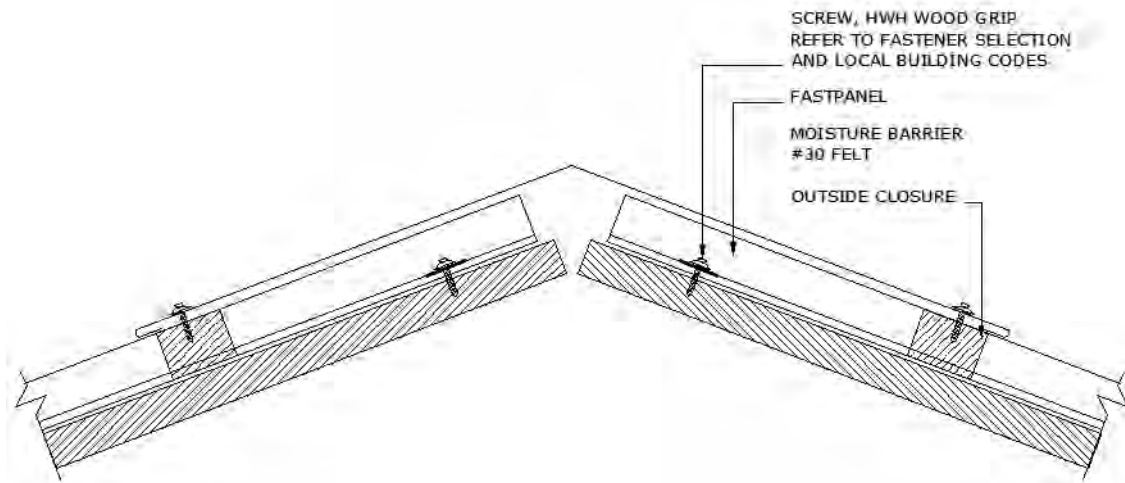
CLEAT DETAIL



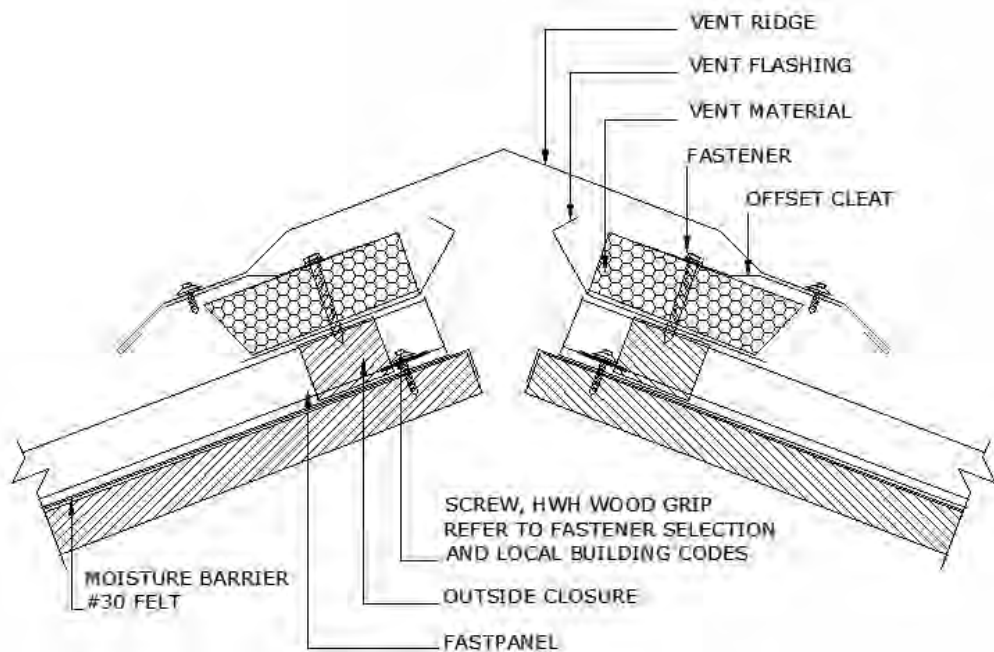
FastPanel™ Exposed Fastener Steel Roof Systems INSTALLATION INSTRUCTIONS

Installation Details

RIDGE DETAIL



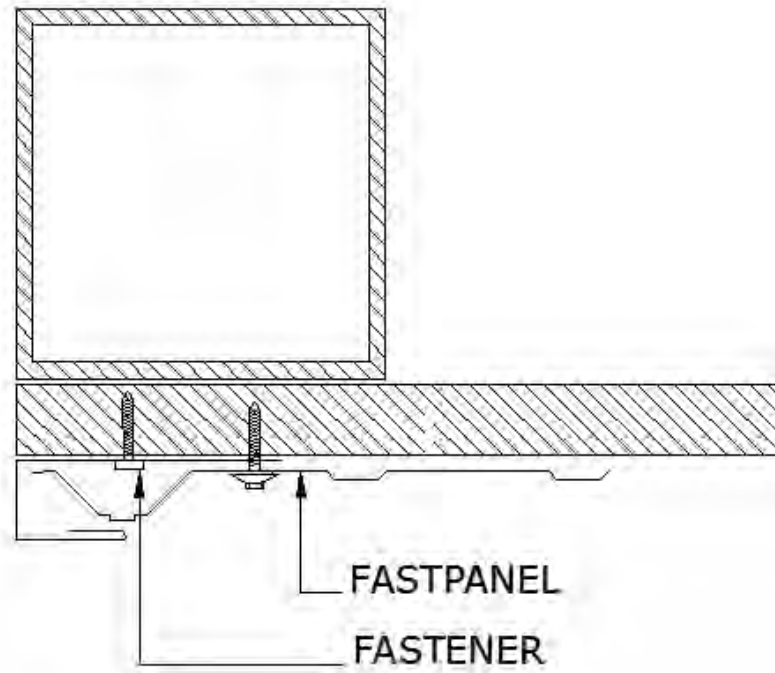
VENT RIDGE DETAIL



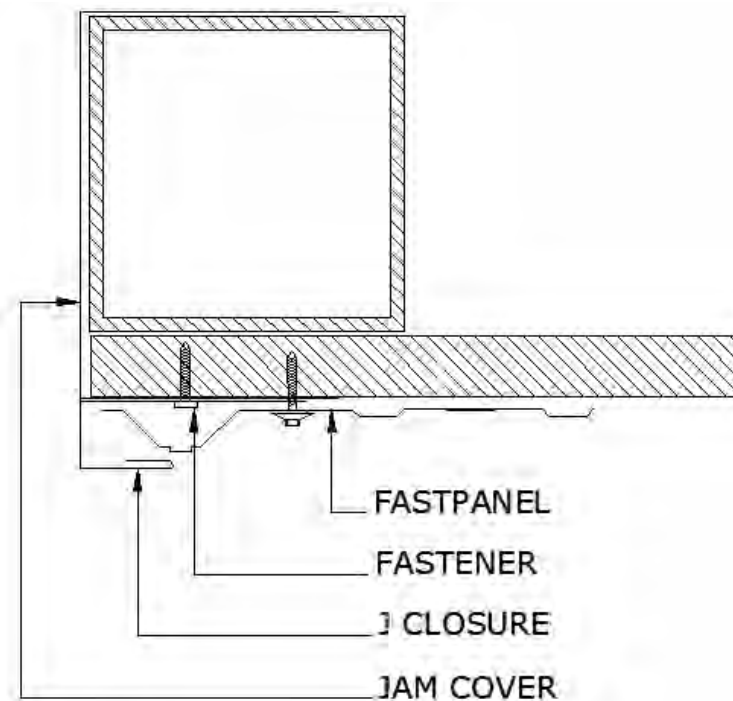
FastPanel™ Exposed Fastener Steel Roof Systems INSTALLATION INSTRUCTIONS

Installation Details

J CLOSURE DETAIL



JAM COVER DETAIL



FastPanel™ Exposed Fastener Steel Roof Systems

INSTALLATION INSTRUCTIONS

Notes

FastPanel™ Exposed Fastener Steel Roof Systems

INSTALLATION INSTRUCTIONS

Notes

