



The patent pending 5N1 residential and commercial gutter and fascia systems by Marpec consist of interchangeable heavy extruded aluminum components that combine drip edge, gutter, soffit channel, fascia and leaf guard into one simple easy to install system that enhances the overall appearance of your home.



Components of the 5N1 Gutter System:

Drip Edge: Extruded aluminum, hinged to properly fit 0/12 to 14/12 roof pitches, surpassing competitive drip edges which are made at only 90 degrees thus not fitting the pitch of the roof properly and causing it to wrinkle and not lay flat.

Soffit Channel: Built directly into the gutter body making it completely invisible and incredibly functional.

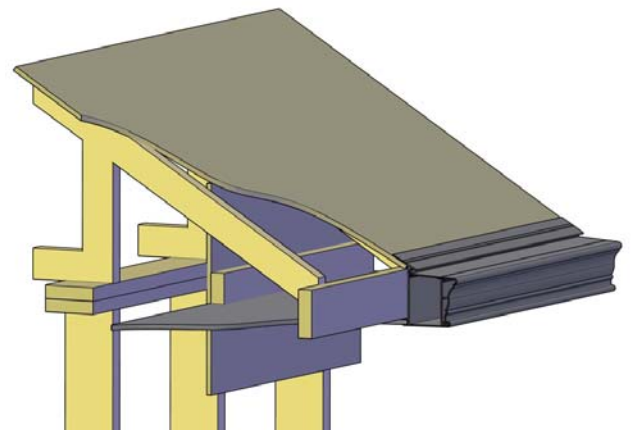
Leaf Guard: Leaves roll right off the gutter top and it also provides resistance to pine needles. Easy installation, just snapping into the back of gutter channel and screwing to the top of the fascia making it easy for future cleaning and virtually invisible from below.

Gutter Body: Handles 30 percent more water than conventional gutters, made of heavy extruded aluminum and very durable. All components fit together with no fasteners by either snapping or sliding together.

Trim: The unique snap locking feature gives it a fastener-free look. No screws, rivets, or exposed fasteners of any kind, giving it a clean appearance of crown molding while providing the homeowner with a unique selection of profiles. Heavy extruded aluminum will not wrinkle. Custom shapes available.

5N1 Gable Fascia System:

A heavy aluminum fascia system that incorporates drip edge, soffit channel, and snap locking trim. Like our gutter system, the Gable Fascia system is fastener free and snap locking that can run up to 24 feet with no seams, compared to conventional coil stock that typically comes in 10 foot lengths.





5N1 Gutter and Fascia



COMPARE



Traditional Gutters

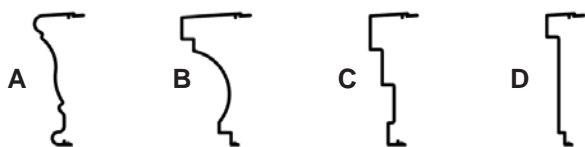


5N1 Advantages

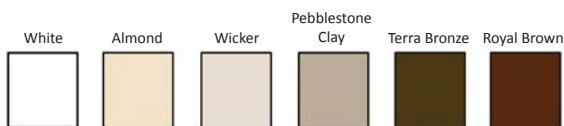
- Made in the USA
- Has the appearance of crown molding
- No exposed fasteners.....trim piece simply "snaps" into place
- Early installation in the construction process, thereby controlling water and resultant erosion
- Sustainable product manufactured from recycled aluminum
- Simple installation, no special tools required
- Reduced labor costs, roof (drip) edge, soffit channel, gutter, fascia and leaf guard are all incorporated into one system
- Matching fascia and gutter profile
- Drip edge won't wrinkle or lift under extreme temperature
- Hinged design supports from 0/12 to 14/12 roof pitches
- Design promotes more directional water flow into gutters, minimizing overflow
- Resistant to wind and hail damage
- Superior appearance when compared to traditional gutter and fascia systems
- Four standard trim profiles with unlimited customization
- Gutter and fascia available up to 24' lengths
- Six standard colors, customized colors available including anodized
- Optional 20 year finish warranty
- Durable and Strong
- Capable of handling 30% more volume than standard gutters



Sustainable, Durable and Strong



Four Profiles to Choose From



Six Standard Colors
Custom Colors Available

Distributed by: American Construction Metals, ABC Supply and Bradco Supply
www.acm-metals.com www.abcsupply.com www.bradcosupply.com



MarPec, Inc.
 1500 2nd Ave., SE, Suite 212
 Cedar Rapids, IA 52403
 Phone: 1.855.627.7324
www.marpecinc.com