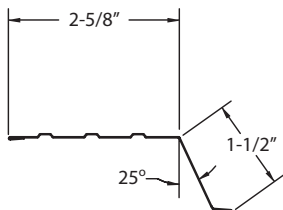


Gutter Apron 25° / Open Roof Edge

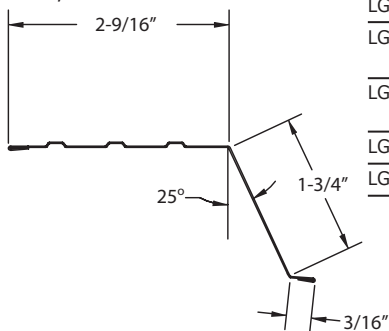
Part #	Description	Color	Gauge/Thickness	Piece Length	Pieces/Box	Pieces/Bundle	Box/Pallet	Pieces/Pallet
AGA15 - -	Aluminum 1-1/2" face	BK/RB/TB/WH	0.019	10'	50	32		1600
AGA20 - -	Aluminum 2" face	(Listed Below)	0.019	10'	50	32		1600
GGA15 - -	Galvanized 1-1/2" face	BK/RB/TB/WH	30 ga/0.013	10'	25	32		800
GGA15ML	Galvanized 1-1/2" face	Mill	30 ga/0.013	10'	25	32		800
GGA20 - -	Galvanized 2" face	BK/RB/TB/WH	30 ga/0.013	10'	25	32		800
GGA20ML	Galvanized 2" face	Mill	30 ga/0.013	10'	25	32		800
CGA15	Copper 1-1/2" face		10 oz	10'	10	32		320
CGA20	Copper 2" face		10 oz	10'	10	32		320
LGA20115	Galvalume 2" face 115°	WH/BR/BK	26 ga/0.019	10'		25	20	500
LGA20115ML	Galvalume 2" face 115°	Mill	26 ga/0.019	10'		25	20	500
LGA30115	Galvalume 3" face 115°	WH/BR/BK	26 ga/0.019	10'		25	20	500
LGA30115ML	Galvalume 3" face 115°	Mill	26 ga/0.019	10'		25	20	500
LGA20110	Galvalume 2" face 110°	WH/BR/BK	26 ga/0.019	10'		25	20	500
LGA20110ML	Galvalume 2" face 110°	Mill	26 ga/0.019	10'		25	20	500
LGA23110	Galvalume 2" face 110° with 3" Leg on Roof	WH/BR/BK	26 ga/0.019	10'		25	20	500
LGA23110ML	Galvalume 2" face 110° with 3" Leg on Roof	Mill	26 ga/0.019	10'		25	20	500
LGA30110	Galvalume 3" face 110°	WH/BR/BK	26 ga/0.019	10'		25	20	500
LGA30110ML	Galvalume 3" face 110°	Mill	26 ga/0.019	10'		25	20	500



AGA, GGA15



AGA, GGA20



ROOFING ACCESSORIES

Drip Edge & Gutter Apron Colors:

COLOR	CODE	COLOR	CODE	COLOR	CODE	COLOR	CODE	COLOR	CODE
ALMOND	AL	CHARCOAL GREY	CG	HARBOR GREY	HG	REDWOOD	RW	TERRA BRONZE	TB
BLACK	BK	CLASSIC CREAM	CC	LINEN	LI	ROYAL BROWN	RB	VICTORIAN GREY	VG
BRONZE	BZ	DESERT SAND	DS	MUSKET BROWN	MB	SAGE	SA	VILLAGE GREEN	VI
BROOKSTONE	BS	EVEREST	EV	NORWEGIAN WOOD	NW	SANDSTONE	ST	WHITE	WH
CAMEO	CA	EVERGREEN	EG	PEBBLESTONE CLAY	PC	SILVER GREY	SG	WICKER	WI